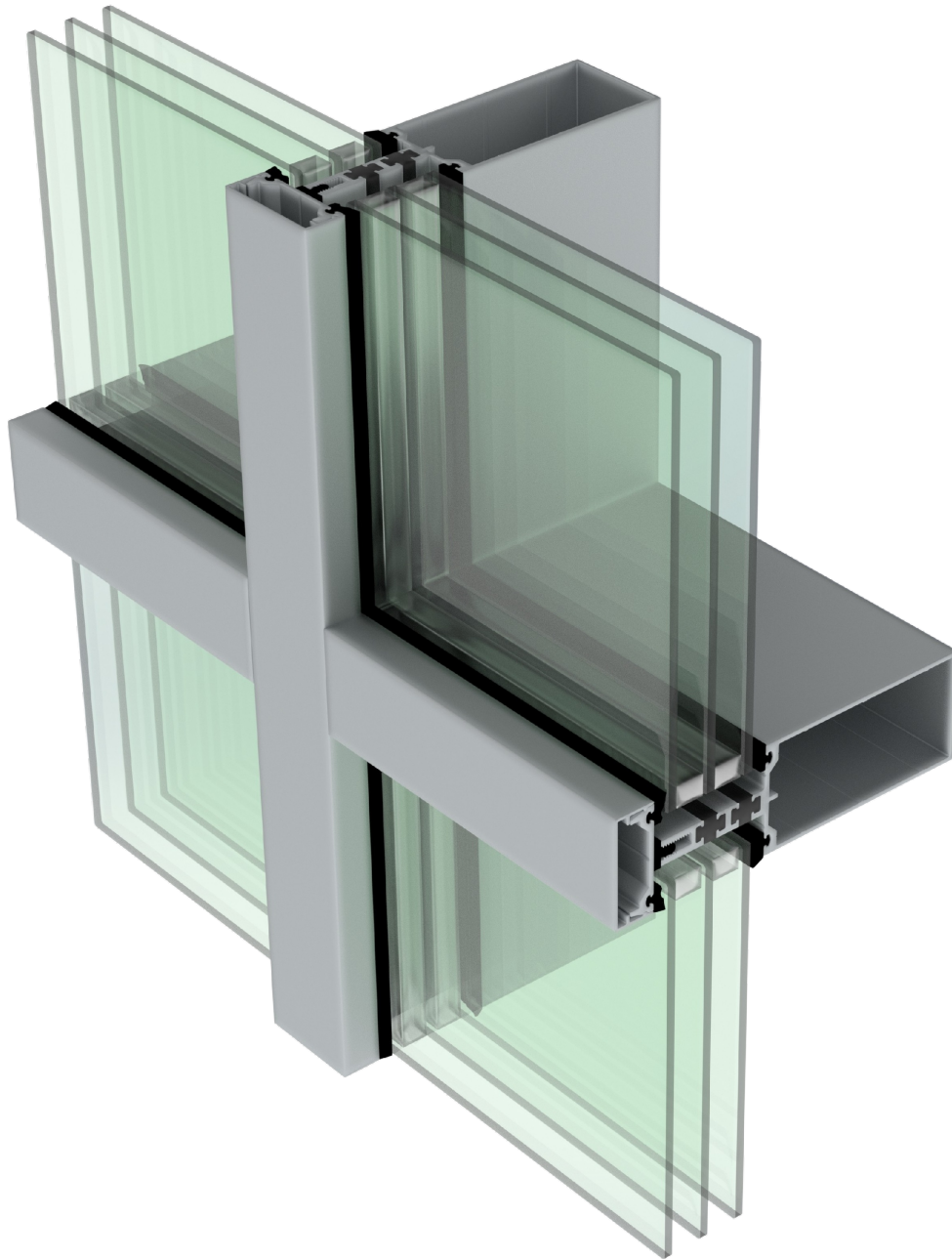


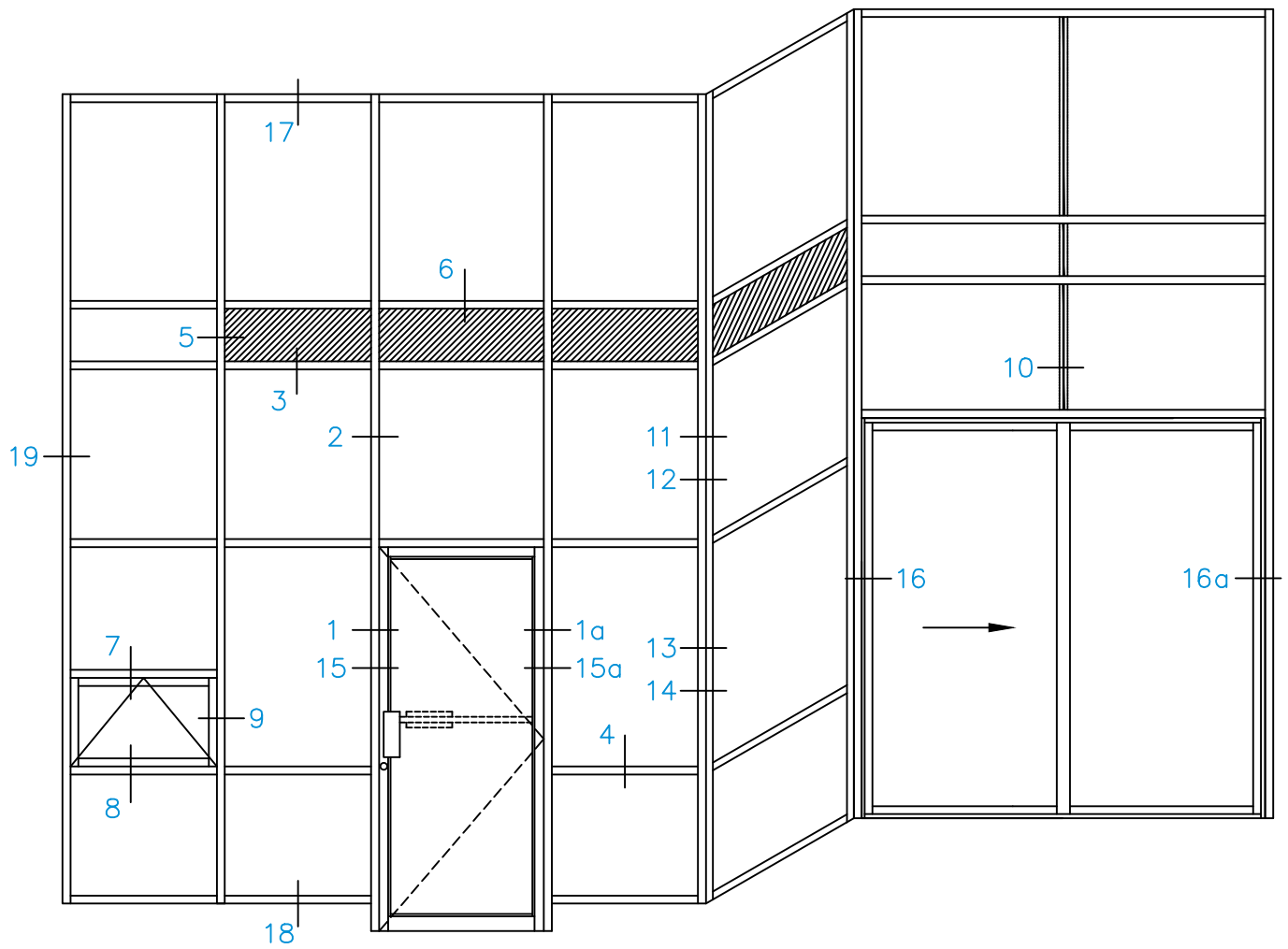


**METRO
ALUMINUM**
Products Ltd.

2400THP SERIES
TRIPLE GLAZED - THERMALLY BROKEN
CURTAIN WALL & WINDOW SYSTEM
NARROW - 2" (50.8 mm) - FRAME

D





ELEVATION

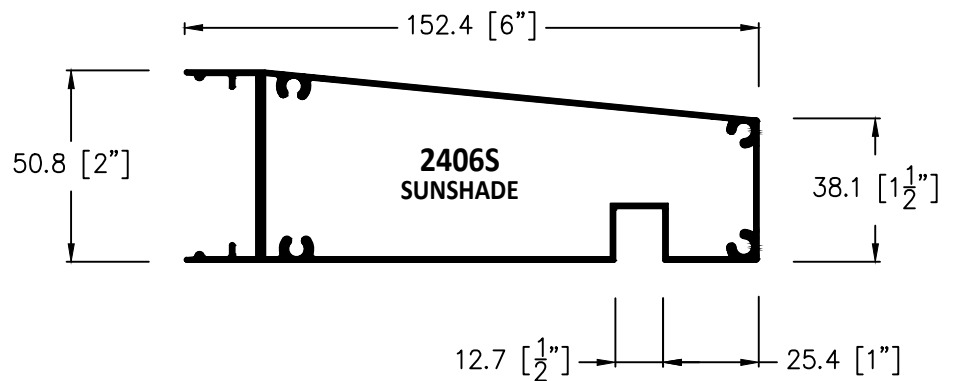
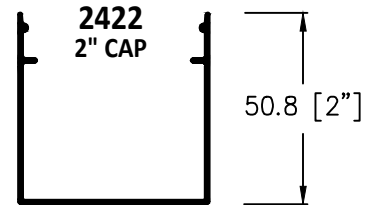
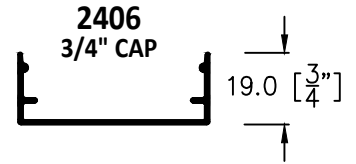
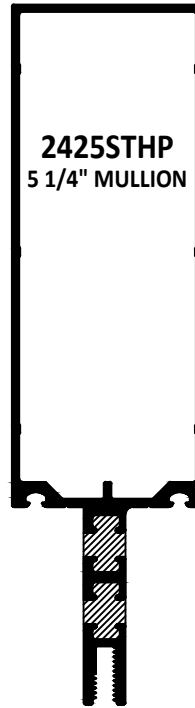
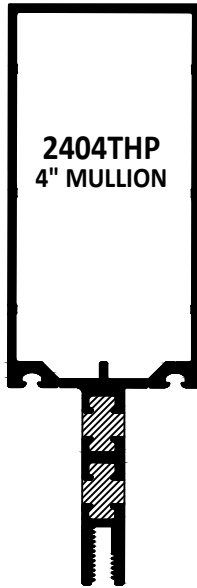


**METRO
ALUMINUM**
Products Ltd.

2400THP SERIES
TRIPLE GLAZED - THERMALLY BROKEN
CURTAIN WALL & WINDOW SYSTEM
NARROW - 2" (50.8 mm) - FRAME

**D
25**

BACK SECTIONS & CAPS



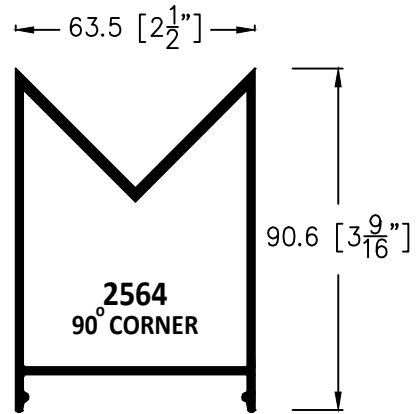
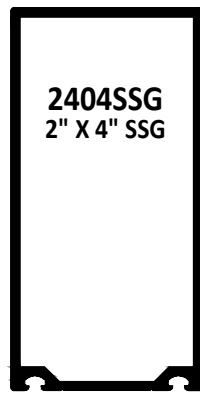


**METRO
ALUMINUM**
Products Ltd.

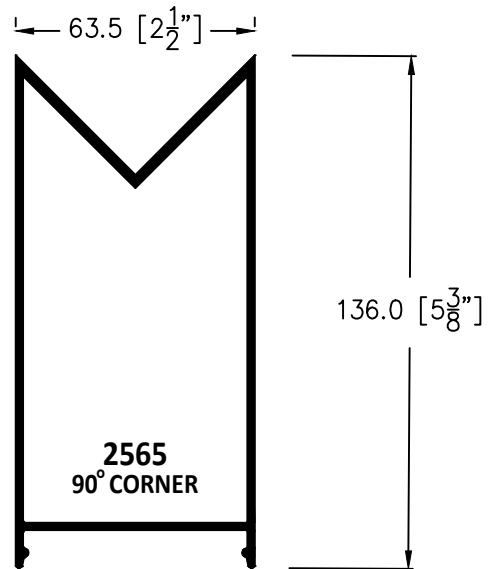
2400THP SERIES
TRIPLE GLAZED - THERMALLY BROKEN
CURTAIN WALL & WINDOW SYSTEM
NARROW - 2" (50.8 mm) - FRAME

**D
26**

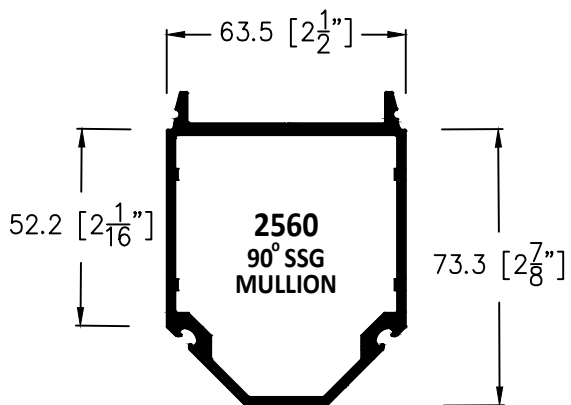
SSG & CORNERS



EXTENSION CAP FOR 4" BACK



EXTENSION CAP FOR 5 1/4" BACK





MISC. COMPONENTS



2410
THERMAL BREAK



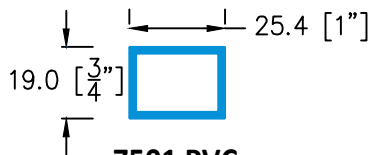
2415-3
CORNER BLOCK



2460
SPONGE GASKET
(INTERIOR)

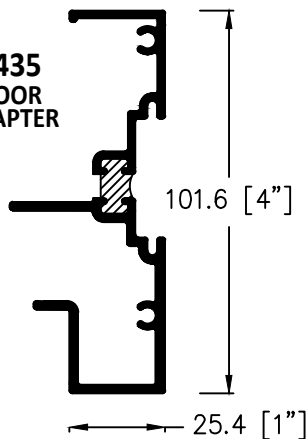


2450
DENSE GASKET
(EXTERIOR)

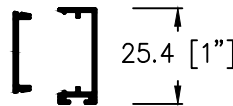
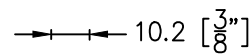


7501 PVC
ANTI-ROTATION

2435
DOOR
ADAPTER



2420
SPIGOT



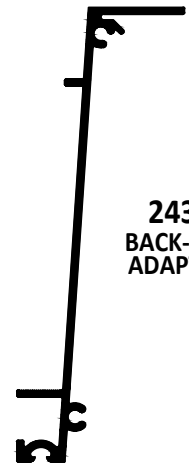
2417/2418
SURFACE APPLIED
DOOR STOP



20120T
DOOR STOP
FOR 2" DOORS



2012T
DOOR STOP
FOR 1 3/4" DOORS



2430
BACK-PAN
ADAPTOR



5100
1" X 1" PERIMETER ANGLE



5102
1" X 2" PERIMETER ANGLE



5103
1" X 3" PERIMETER ANGLE

6" THRESHOLDS FOR
4 1/2" SYSTEM

1506



1506T



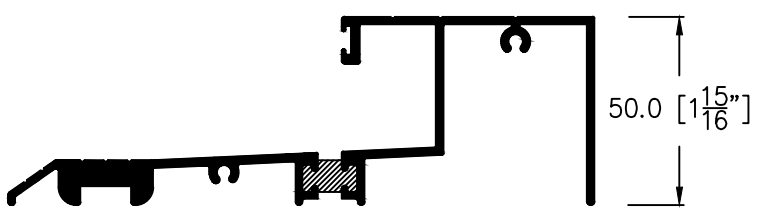
2106 BEVELLED



2106T SQUARE

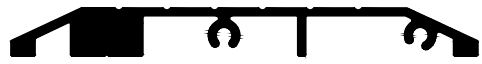


2107T SQUARE



5" THRESHOLDS FOR
3 1/4" SYSTEM

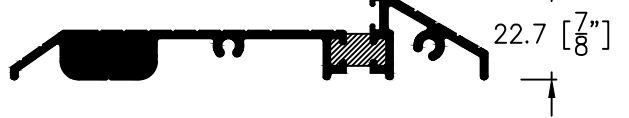
1306



1306T



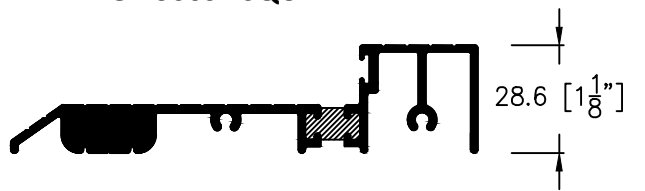
2306 BEVELLED



2306T SQUARE

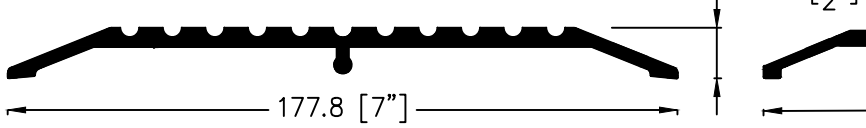


G-2306ST SQUARE



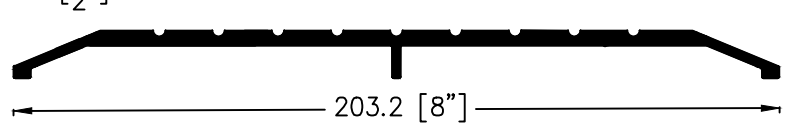
1507

7" THRESHOLDS

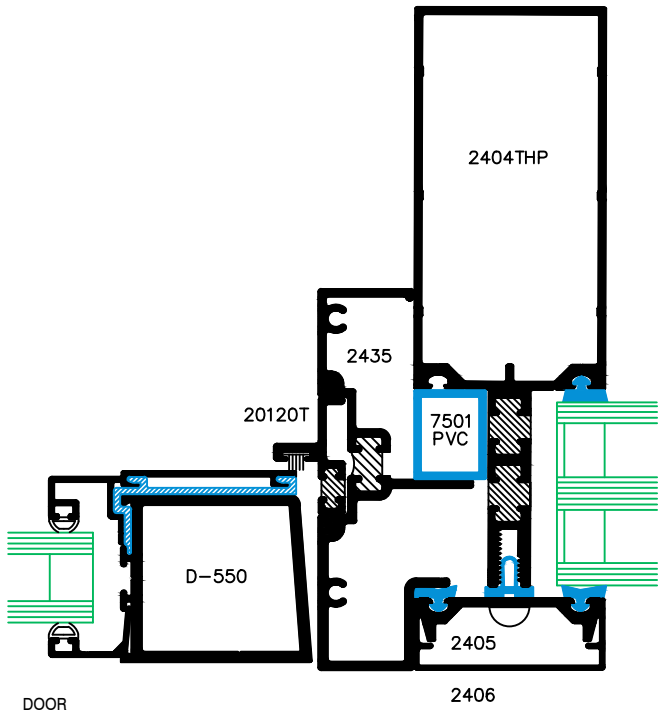


1508

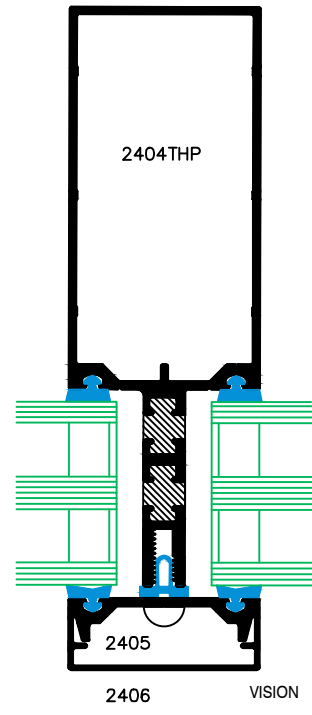
8" THRESHOLDS



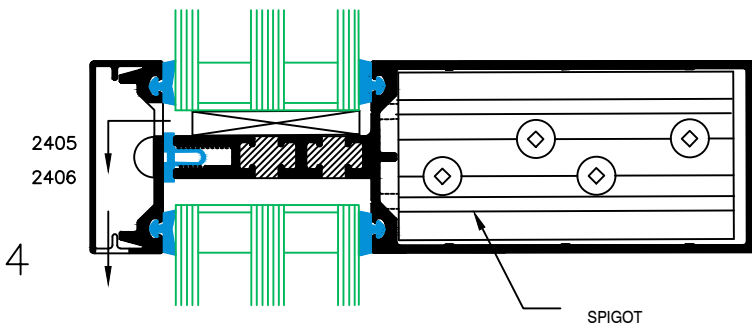
TYPICAL DETAILS



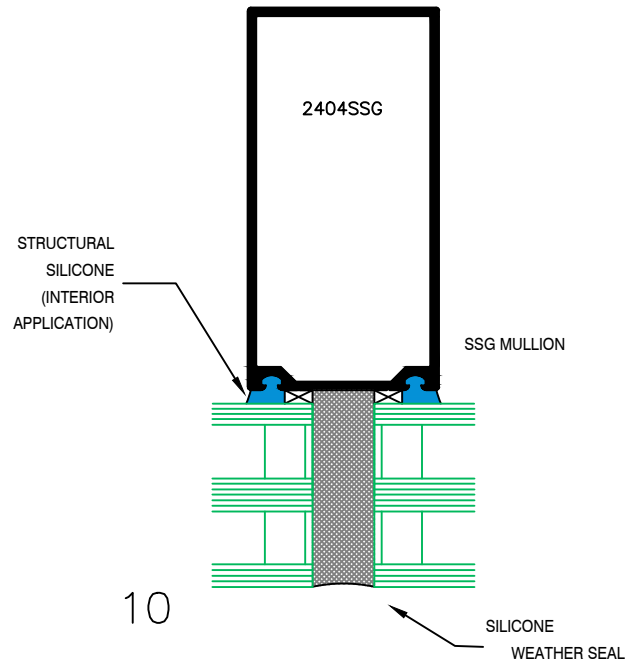
1a



2

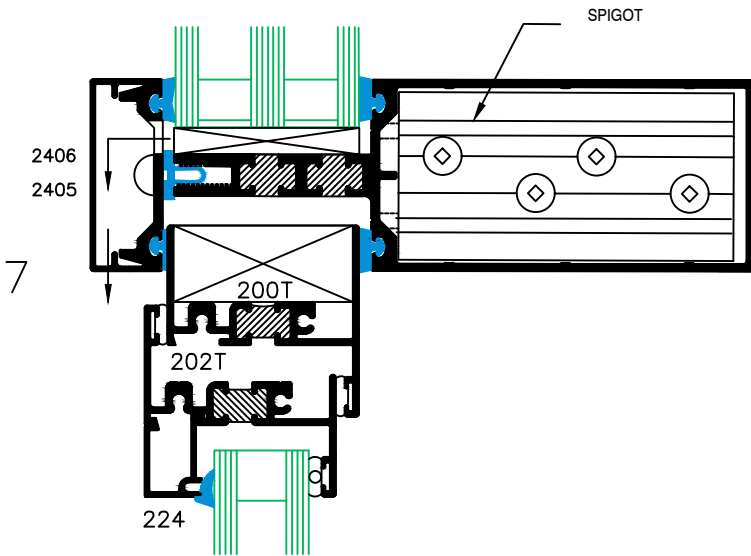


4

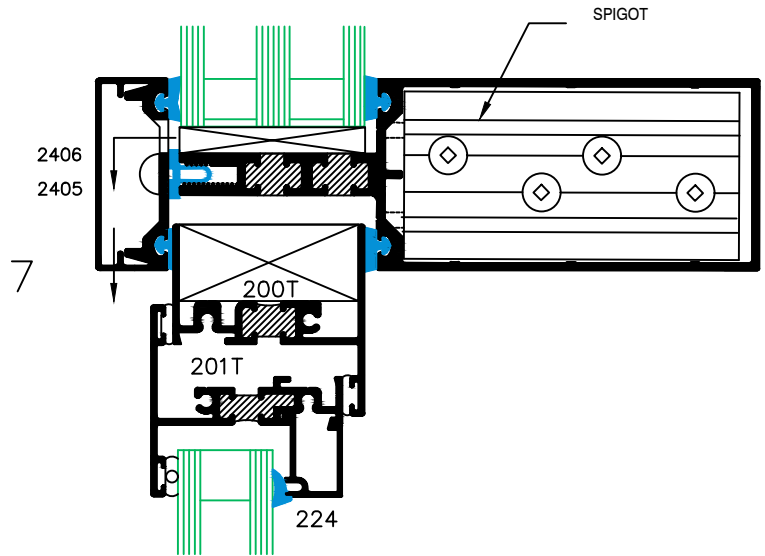


10

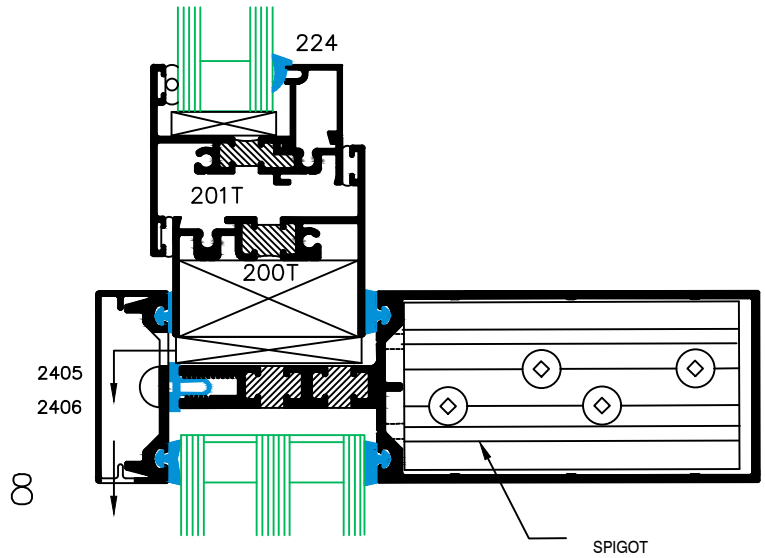
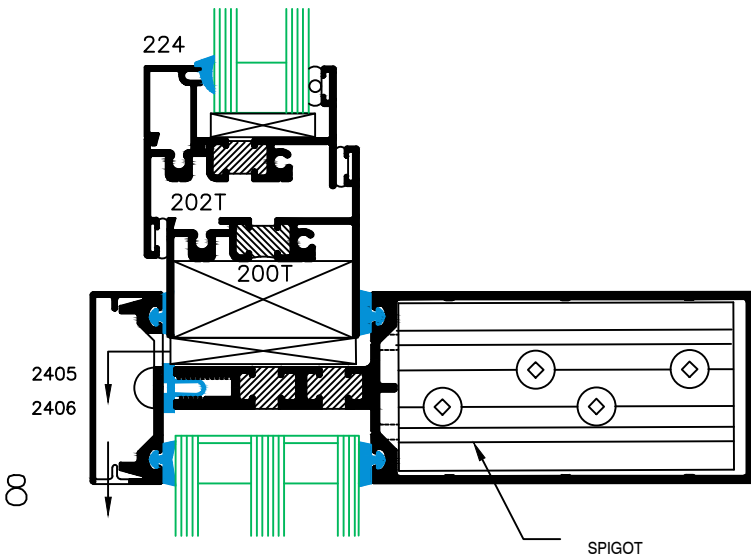
TYPICAL CURTAIN WALL VENT DETAILS



200T SERIES VENT
OPEN-OUT
OUTSIDE GLAZED



200T SERIES VENT
OPEN-OUT
INSIDE GLAZED



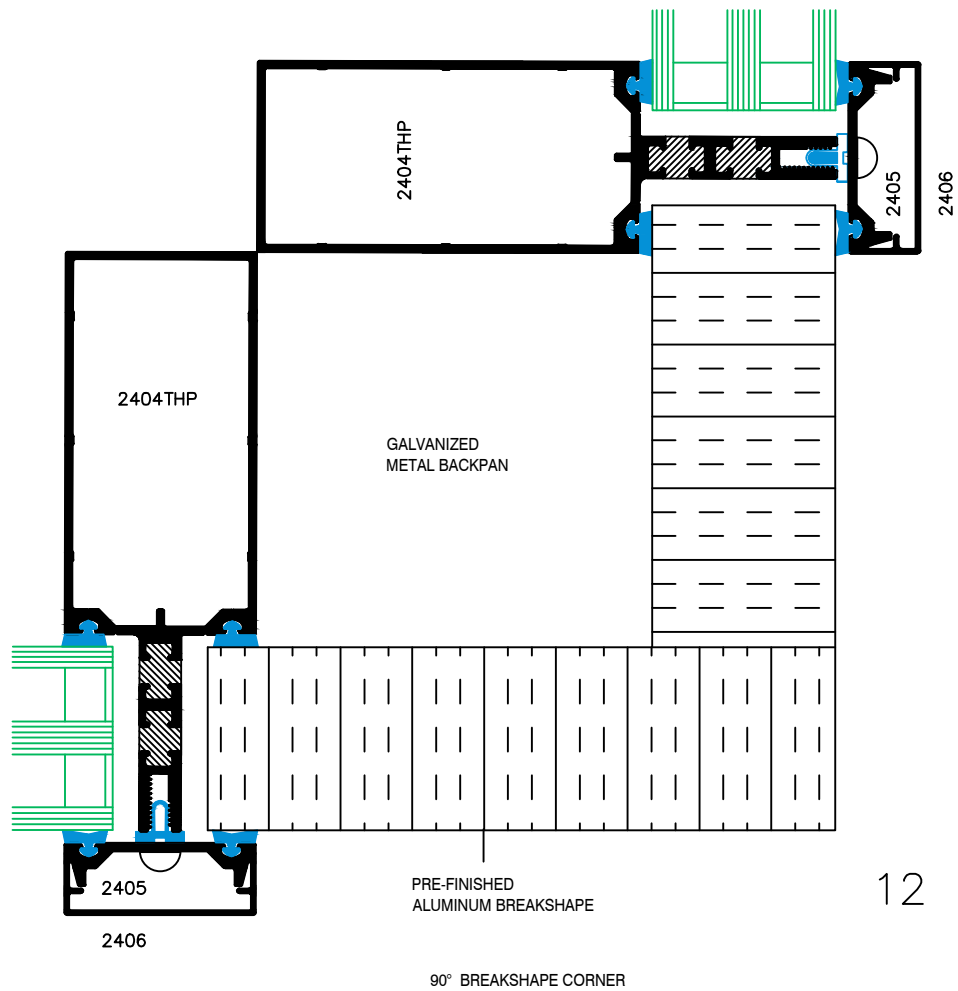


**METRO
ALUMINUM**
Products Ltd.

2400THP SERIES
TRIPLE GLAZED - THERMALLY BROKEN
CURTAIN WALL & WINDOW SYSTEM
NARROW - 2" (50.8 mm) - FRAME

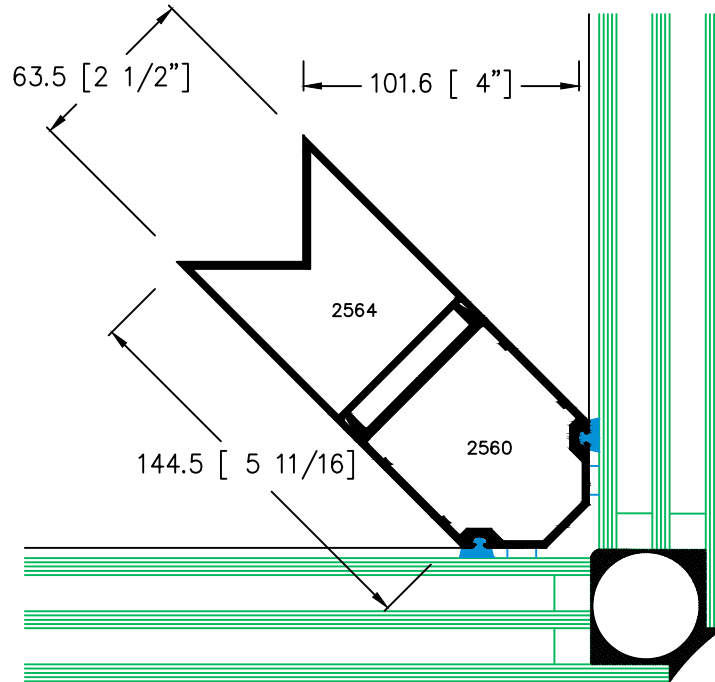
**D
28B**

TYPICAL CAPTURED CORNER DETAILS



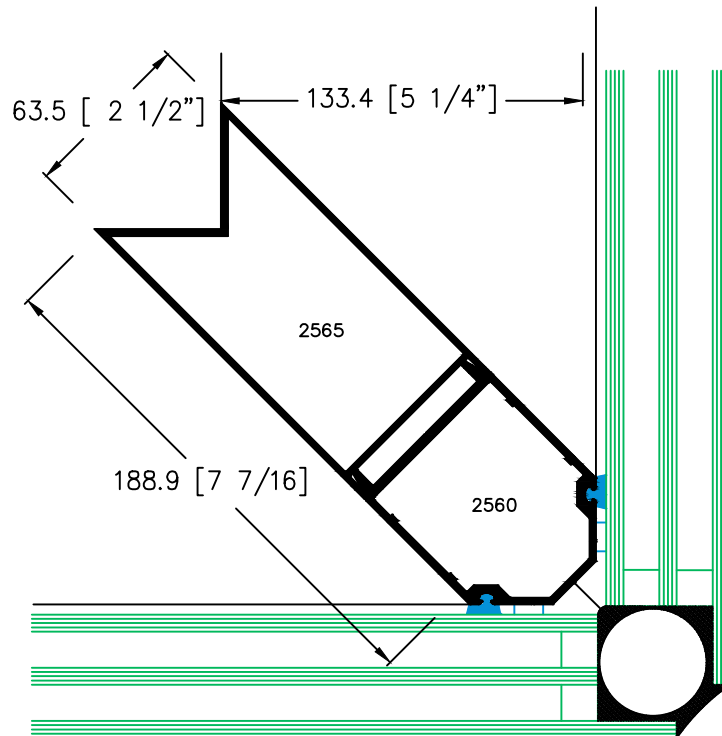


TYPICAL BUTT-JOINT CORNER DETAILS



90° BUTT-JOINT CORNER
AT 4" BACK MEMBER

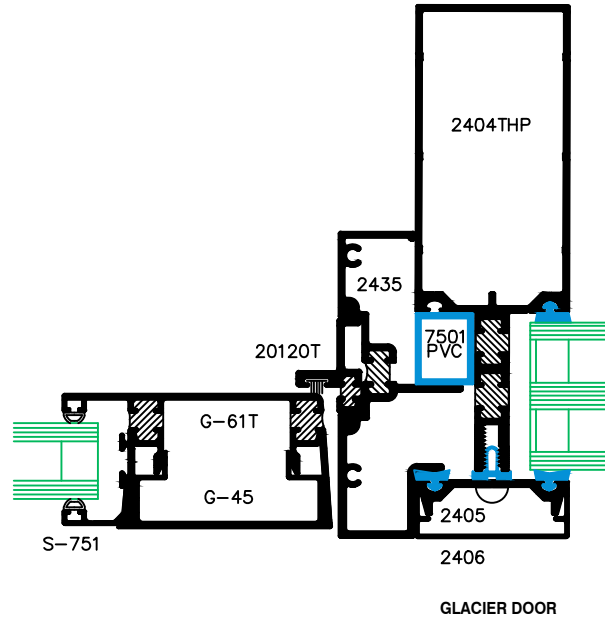
13



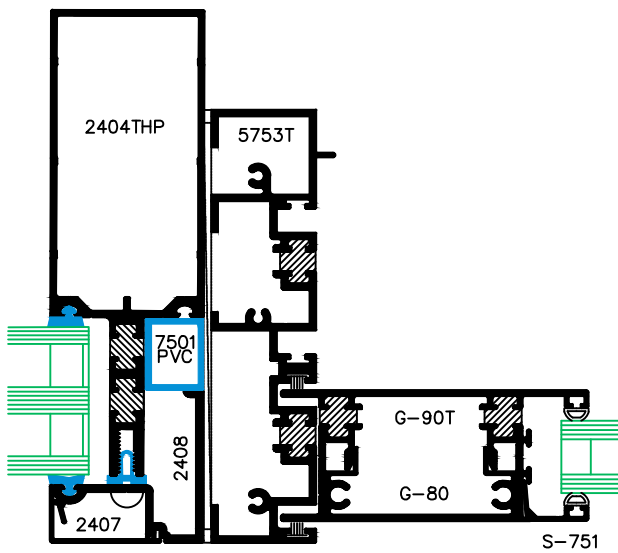
90° BUTT-JOINT CORNER
AT 5 1/4" BACK MEMBER

14

ALTERNATE DOOR DETAILS

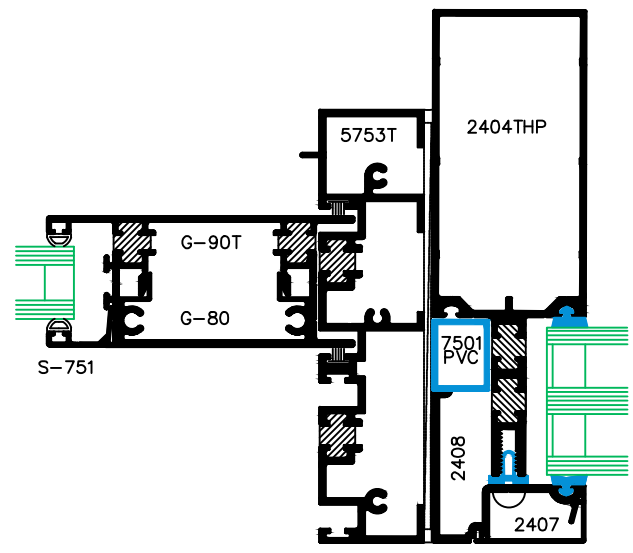


15a



1100T JAMB AT SLIDER

16



SLIDING DOORS

1100T JAMB AT FIXED PANEL

16a

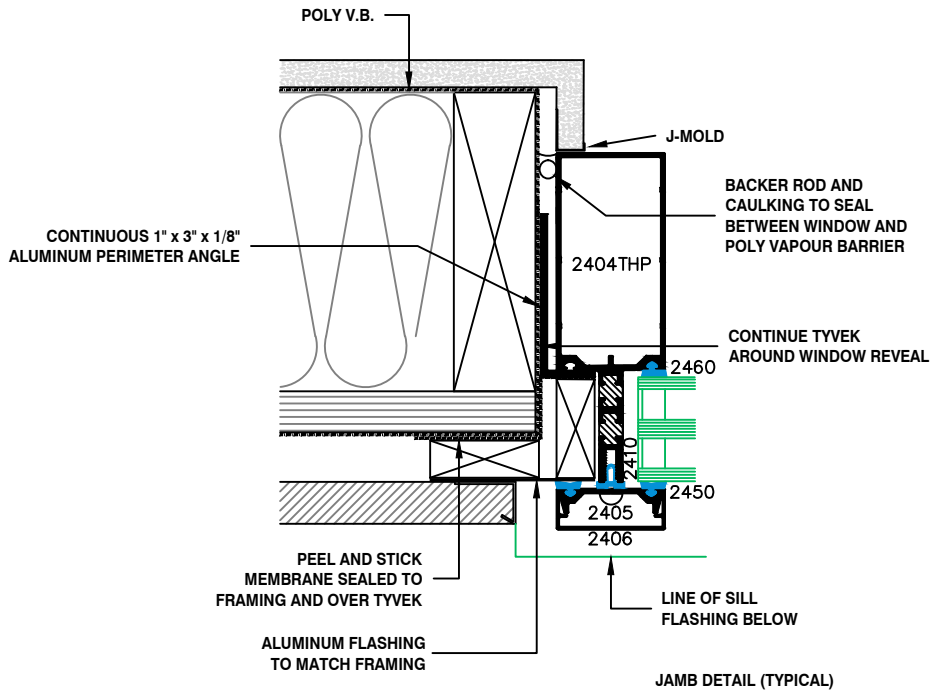
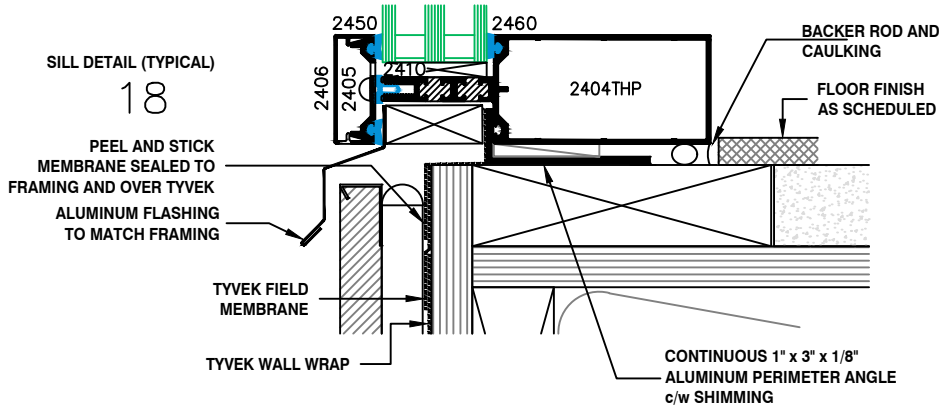
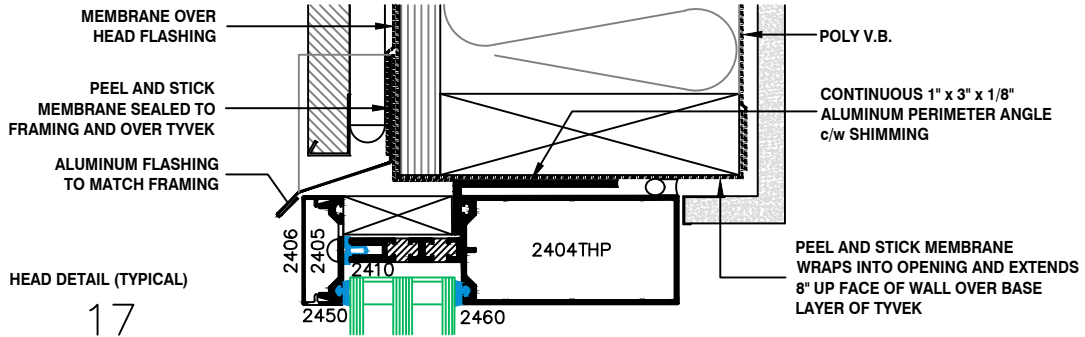


**METRO
ALUMINUM**
Products Ltd.

2400THP SERIES
TRIPLE GLAZED - THERMALLY BROKEN
CURTAIN WALL & WINDOW SYSTEM
NARROW - 2" (50.8 mm) - FRAME

**D
28E**

**INTERFACE DETAILS
(SUGGESTED ONLY)**



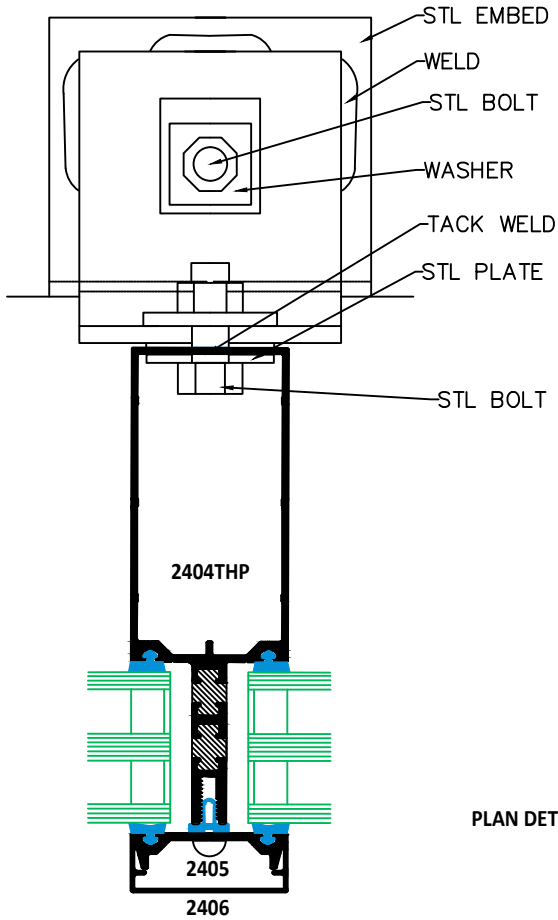


**METRO
ALUMINUM**
Products Ltd.

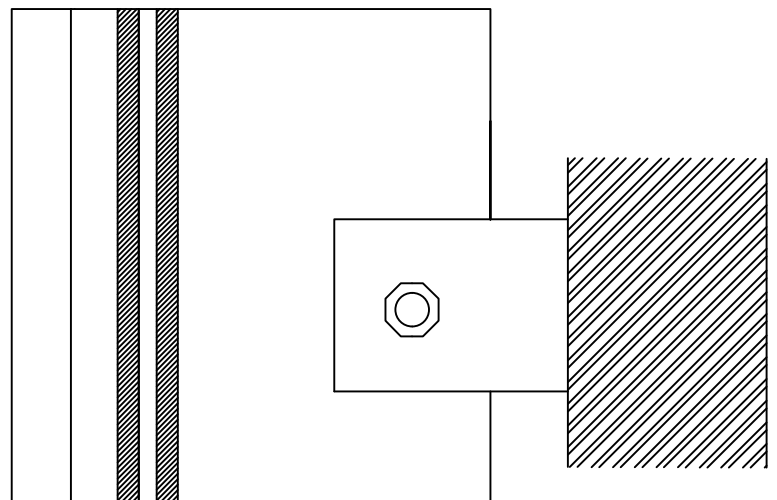
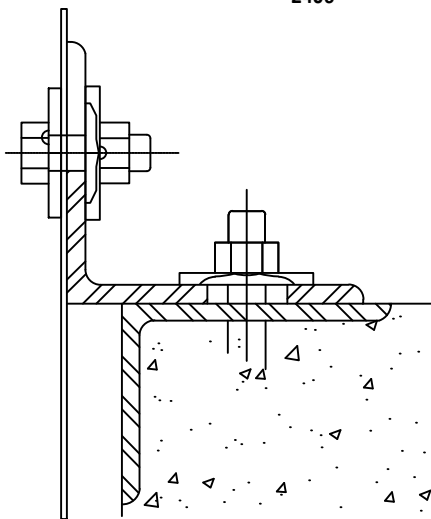
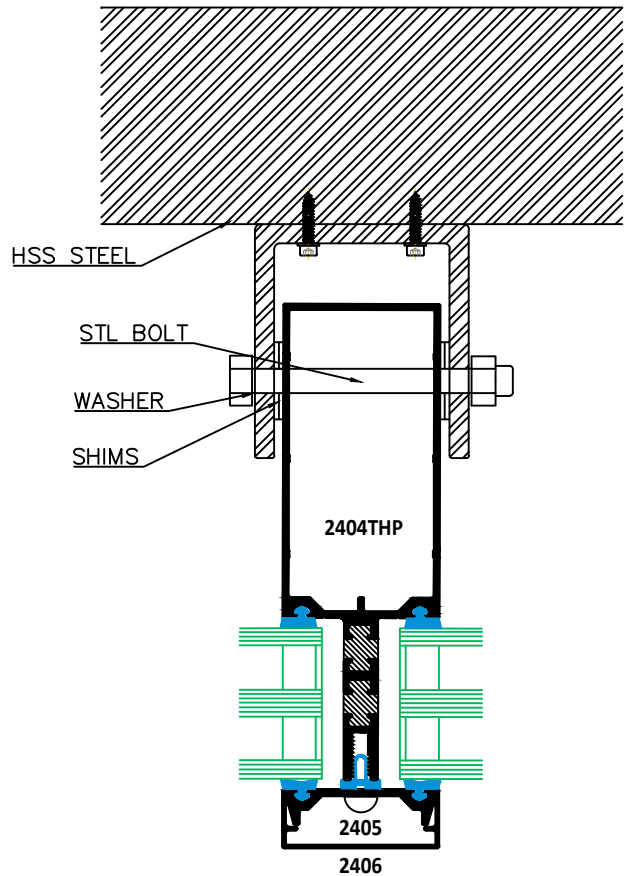
2400THP SERIES
TRIPLE GLAZED - THERMALLY BROKEN
CURTAIN WALL & WINDOW SYSTEM
NARROW - 2" (50.8 mm) - FRAME

**D
28F**

TYPICAL ANCHORING DETAILS



PLAN DETAILS



SECTION DETAILS



**METRO
ALUMINUM**
Products Ltd.

2400THP SERIES
TRIPLE GLAZED - THERMALLY BROKEN
CURTAIN WALL & WINDOW SYSTEM
NARROW - 2" (50.8 mm) - FRAME

**D
28G**

EXPANSION & SPLICE DETAILS

