

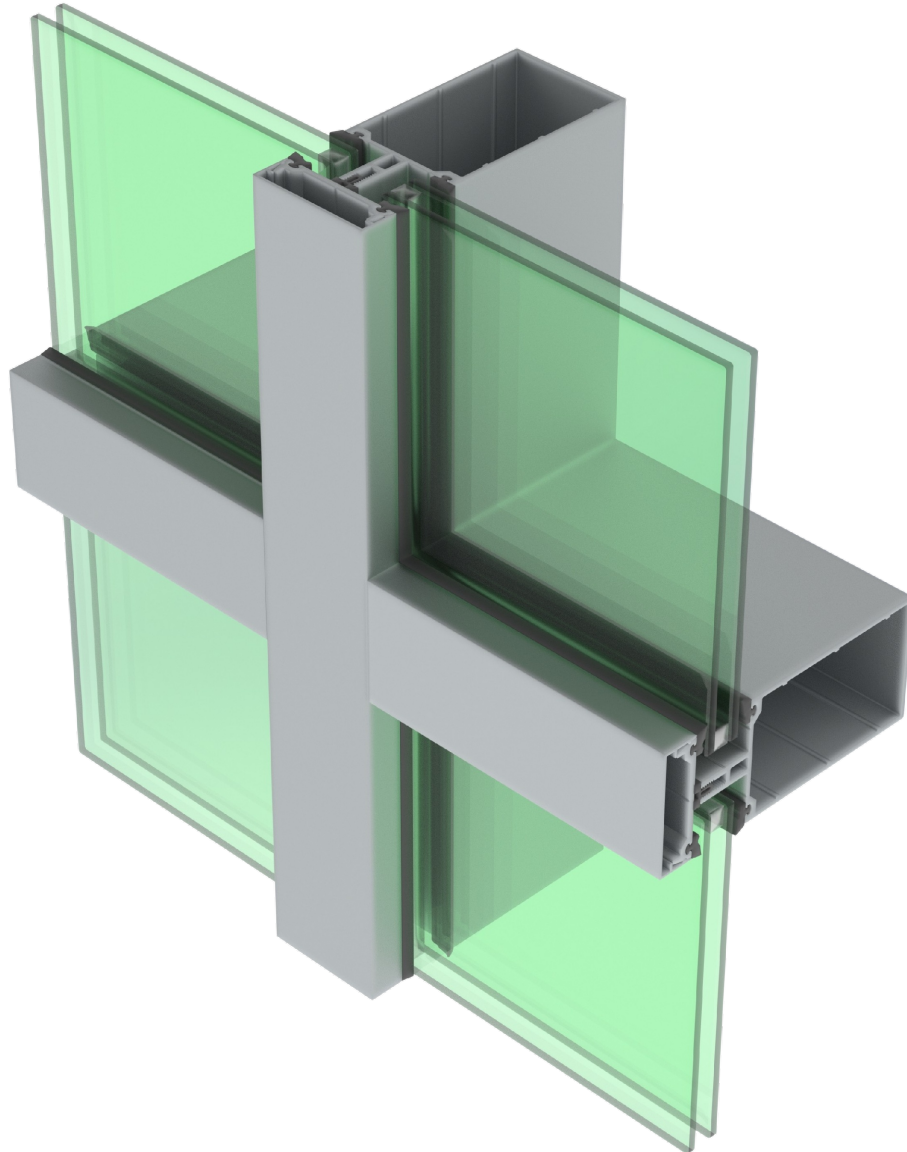


**METRO
ALUMINUM**
Products Ltd.

2500 SERIES

CURTAIN WALL & WINDOW SYSTEM
2 1/2" (63.5 mm) - FRAME

D





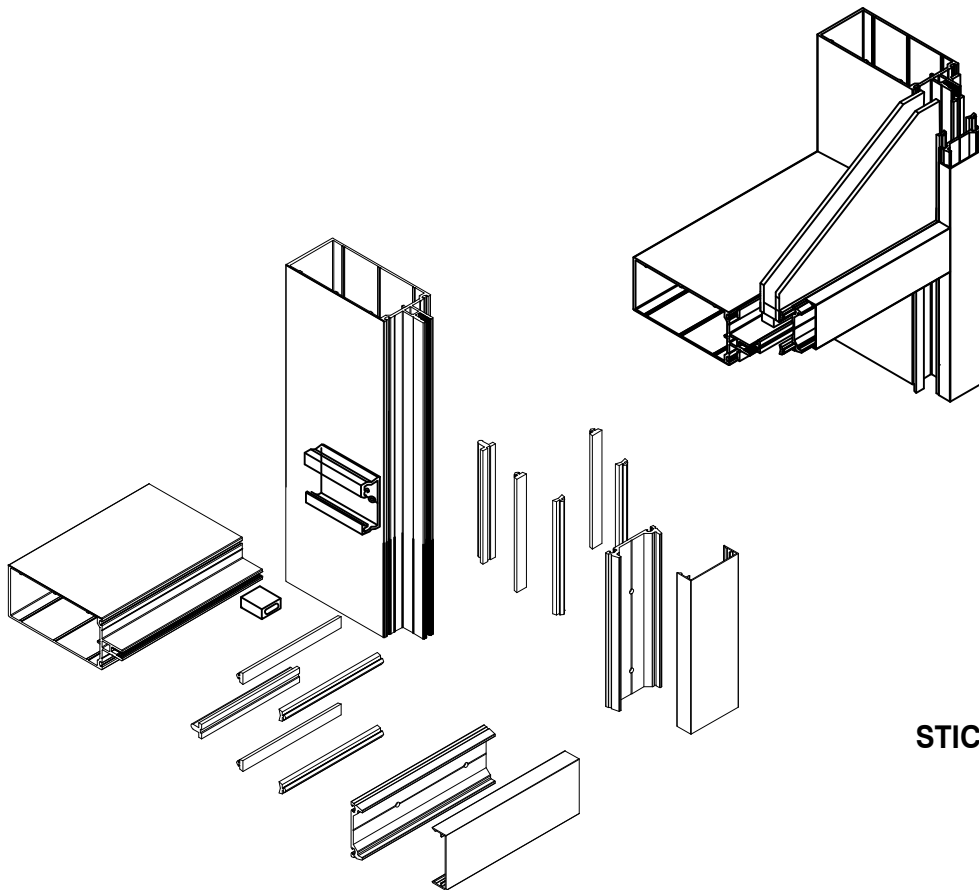
**METRO
ALUMINUM**
Products Ltd.

2500 SERIES

CURTAIN WALL & WINDOW SYSTEM
2 1/2" (63.5 mm) - FRAME

**D
35**

PICTORIAL (3D) PRESENTATION



STICK SYSTEM FRAMING

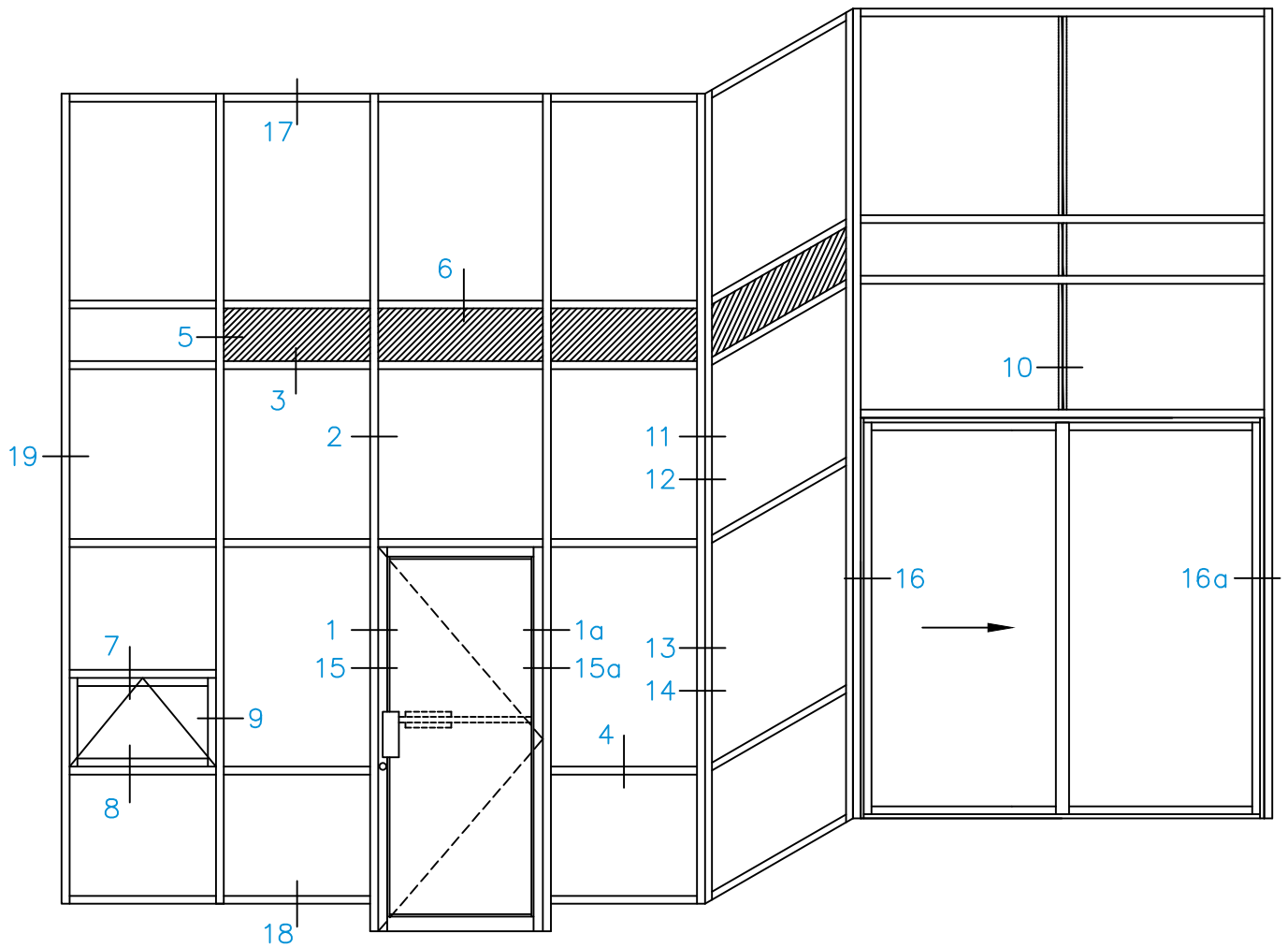


**METRO
ALUMINUM**
Products Ltd.

2500 SERIES

CURTAIN WALL & WINDOW SYSTEM
2 1/2" (63.5 mm) - FRAME

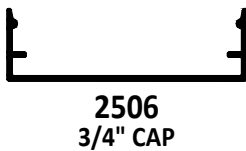
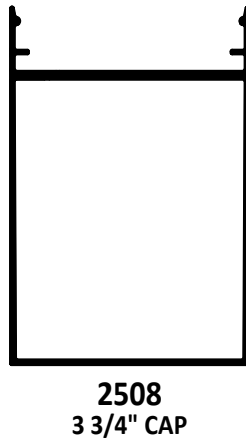
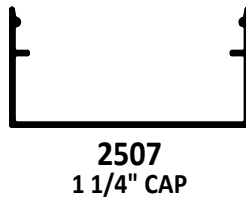
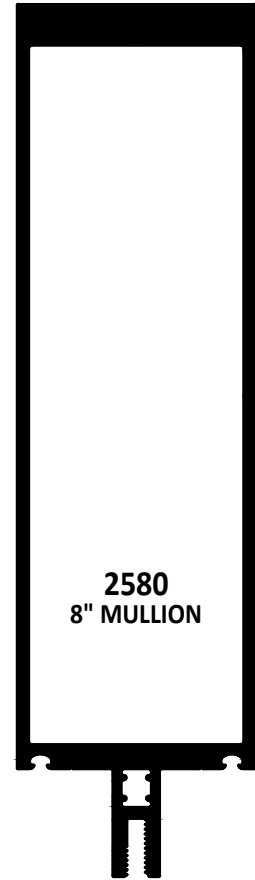
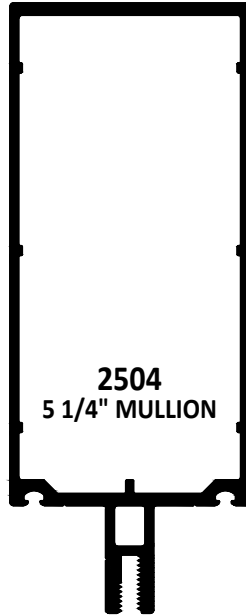
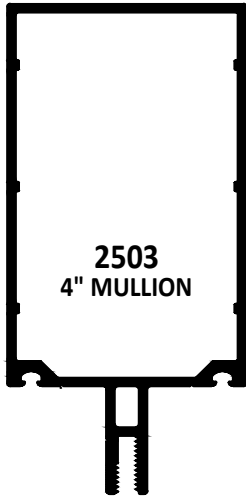
**D
36**



ELEVATION

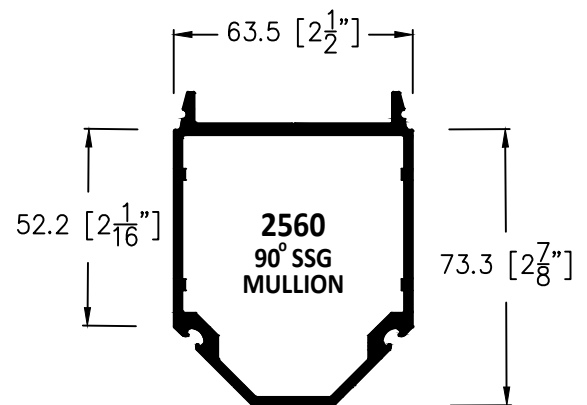
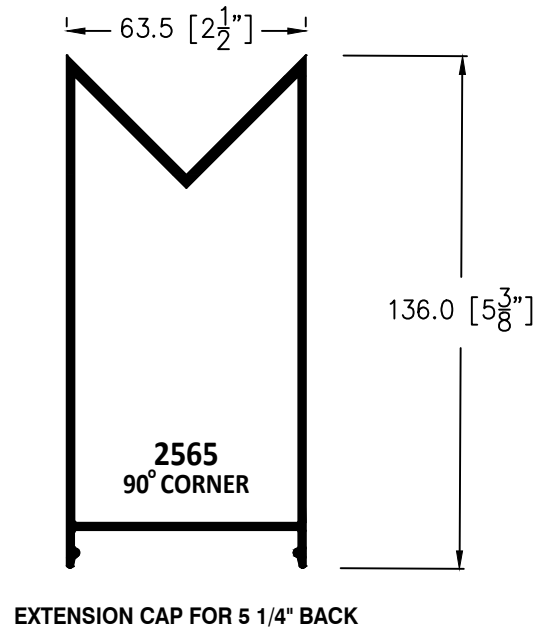
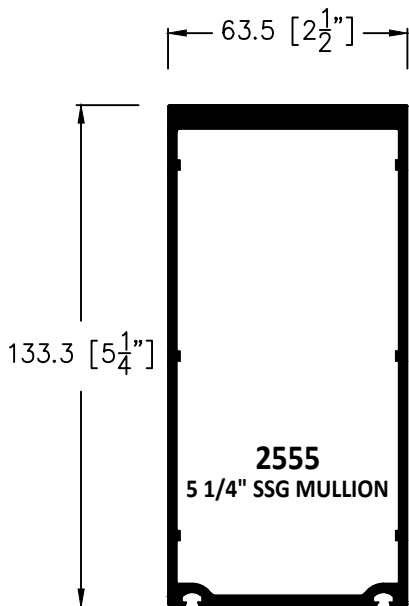
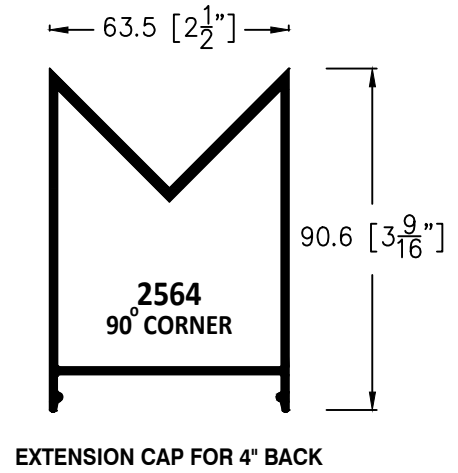
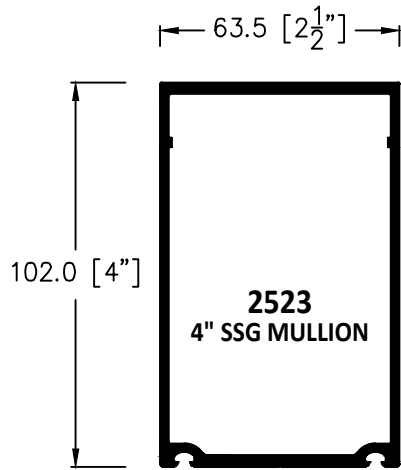


BACK SECTIONS





SSG COMPONENTS





MISC. COMPONENTS



2410
THERMAL BREAK



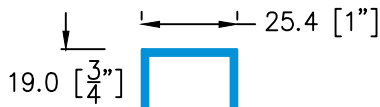
2515
CORNER BLOCK



2460
SPONGE GASKET
(INTERIOR)

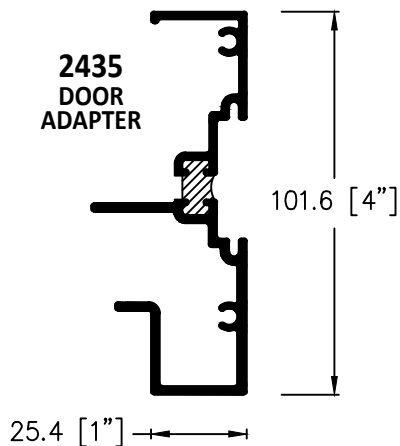


2450
DENSE GASKET
(EXTERIOR)

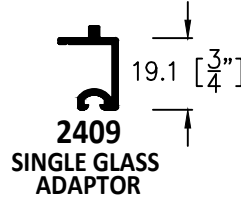


7501
PVC
ANTI-ROTATION

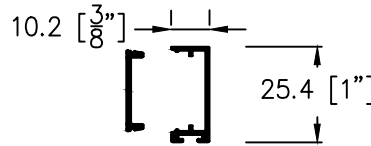
2435
DOOR
ADAPTER



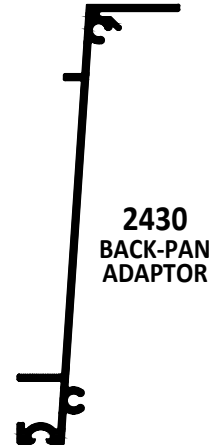
2520
SPIGOT



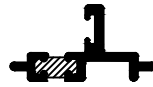
2409
SINGLE GLASS
ADAPTOR



2417/2418
SURFACE APPLIED
DOOR STOP



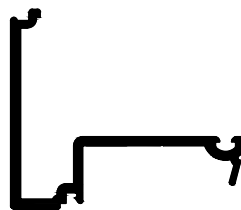
2430
BACK-PAN
ADAPTOR



20120T
DOOR STOP
FOR 2" DOORS



2012T
DOOR STOP
FOR 1 3/4" DOORS



2517
FLUSH DOOR
ADAPTOR



5102
1" X 2" PERIMETER ANGLE



2518
FLUSH DOOR
ADAPTOR CAP



5103
1" X 3" PERIMETER ANGLE

6" THRESHOLDS FOR
4 1/2" SYSTEM

1506



1506T



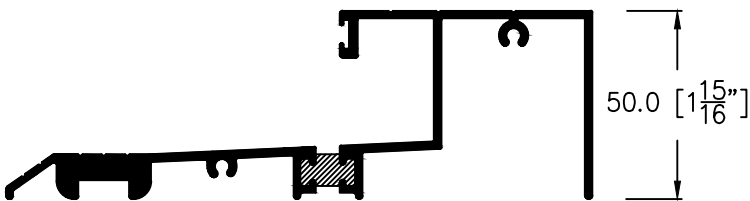
2106 BEVELLED



2106T SQUARE



2107T SQUARE



5" THRESHOLDS FOR
3 1/4" SYSTEM

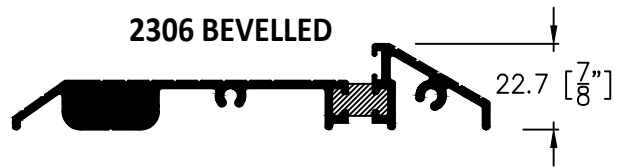
1306



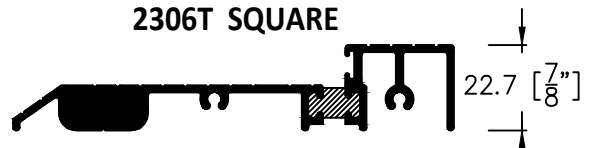
1306T



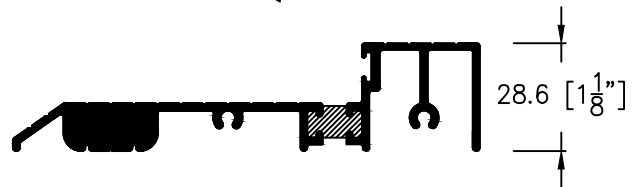
2306 BEVELLED



2306T SQUARE

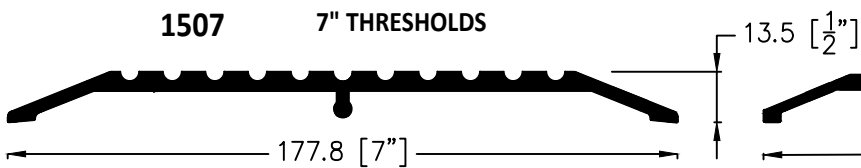


G-2306ST SQUARE



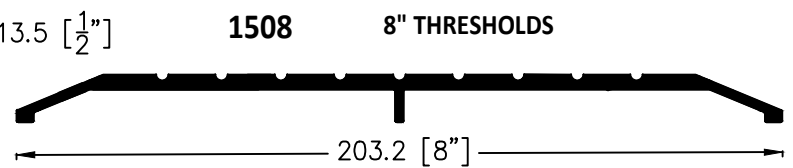
1507

7" THRESHOLDS

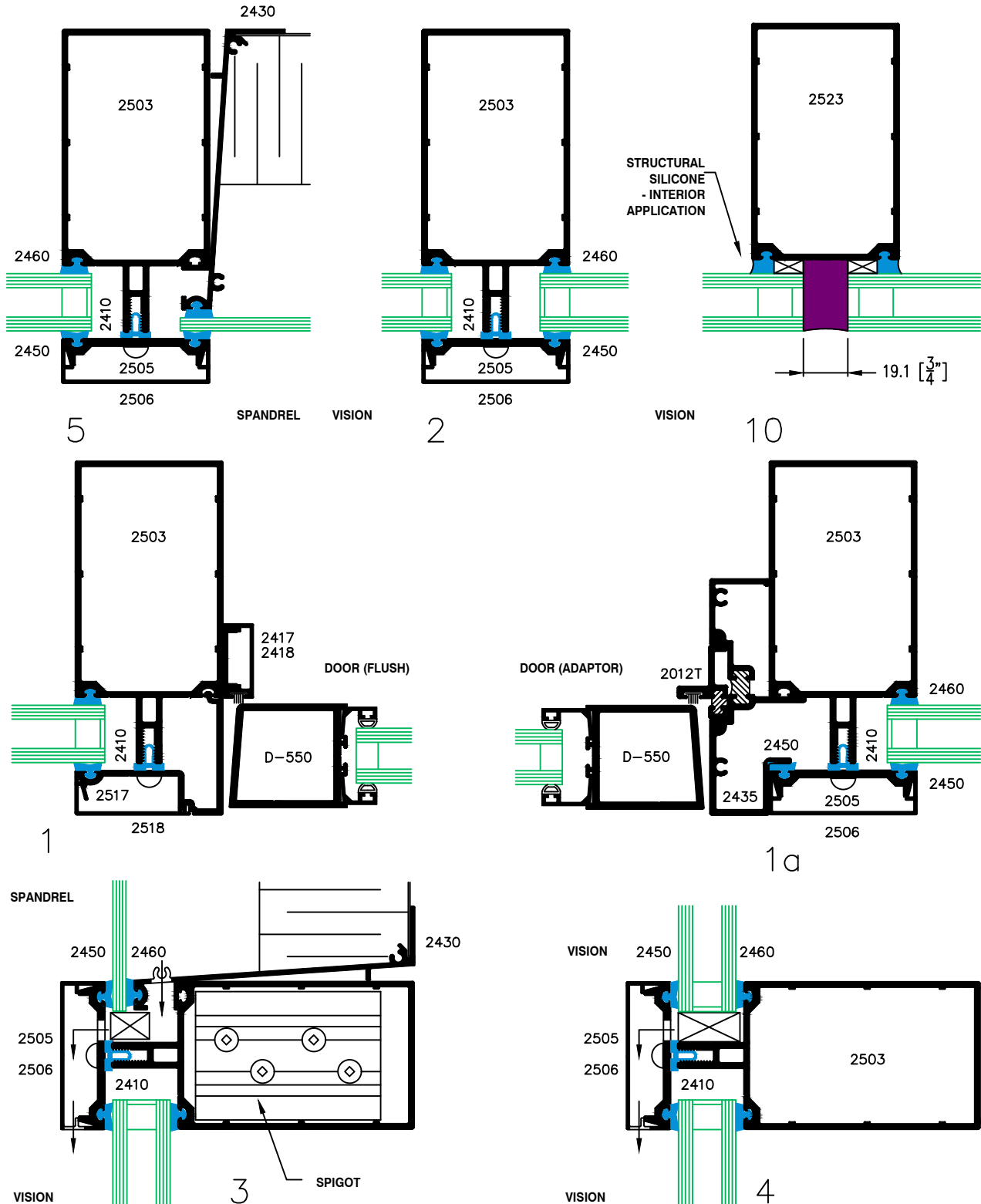


1508

8" THRESHOLDS

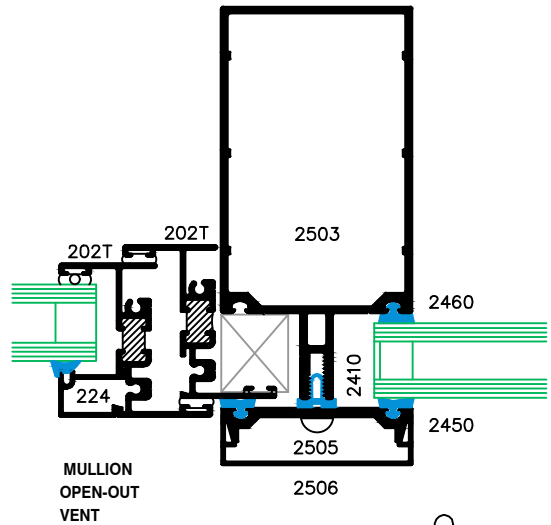
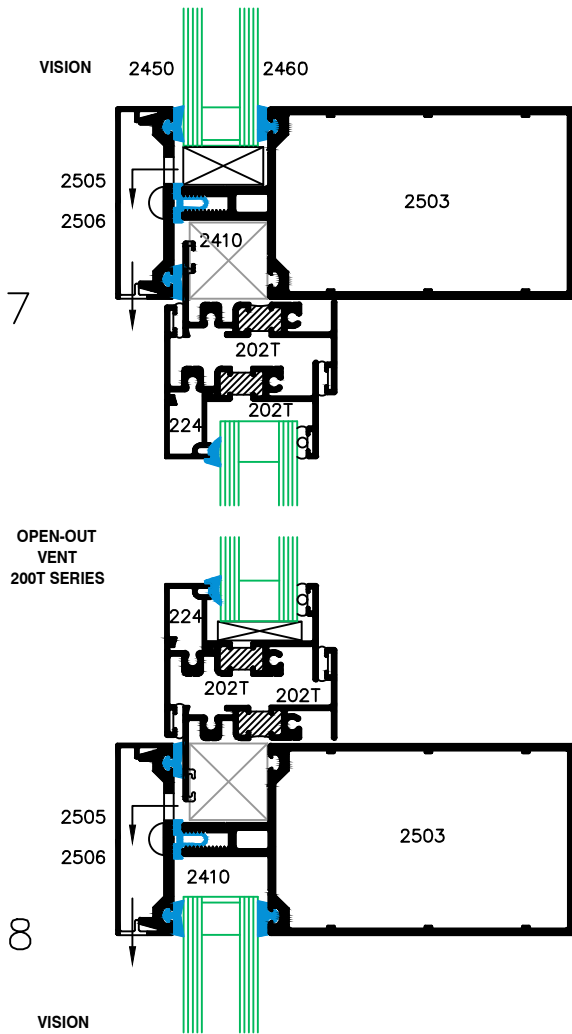


TYPICAL DETAILS

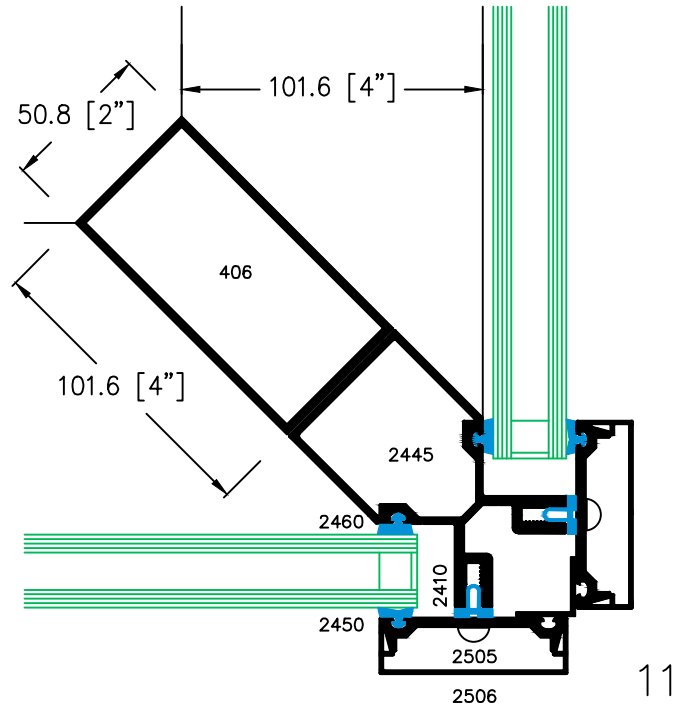




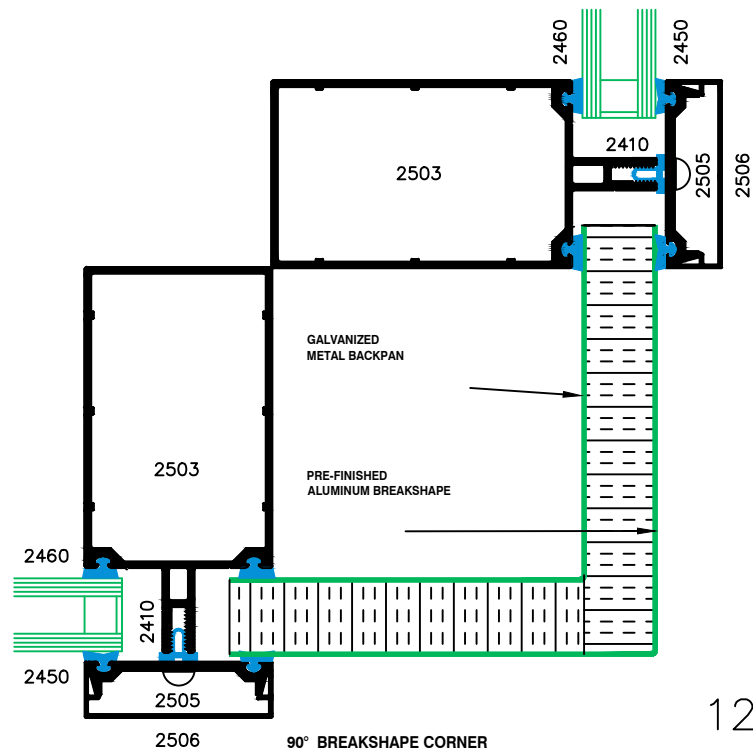
TYPICAL CURTAIN WALL VENT DETAILS



TYPICAL CAPTURED CORNER DETAILS

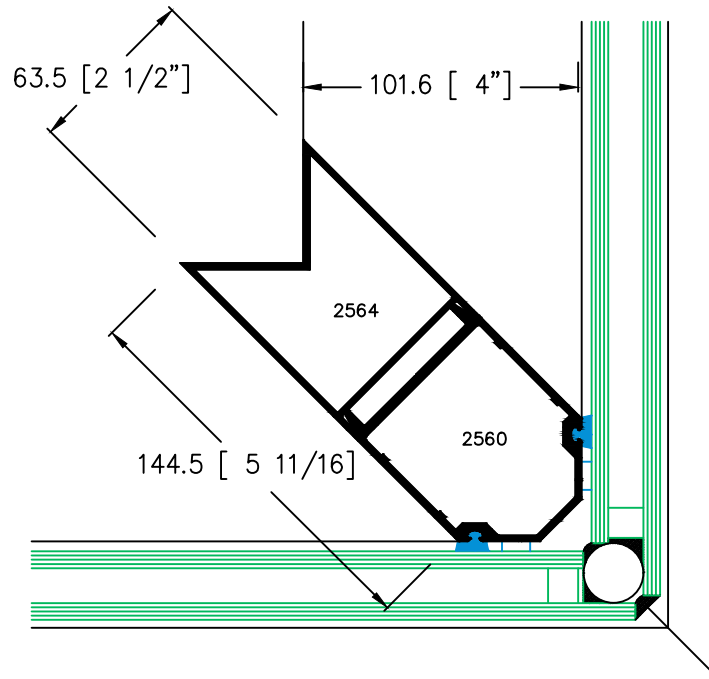


90° CAPTURED CORNER



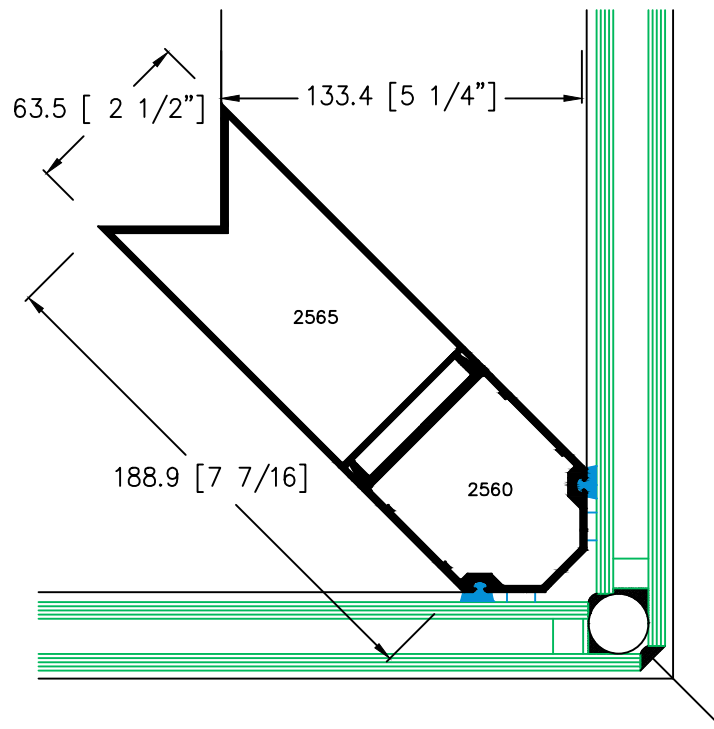
90° BREAKSHAPE CORNER

TYPICAL BUTT-JOINT CORNER DETAILS



90° BUTT-JOINT CORNER
AT 4" BACK MEMBER

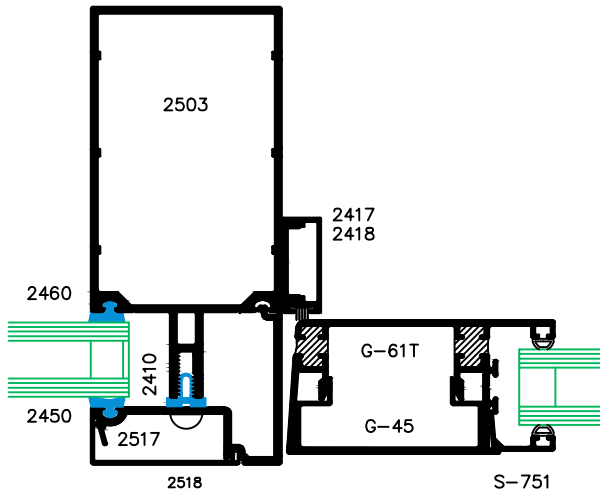
12



90° BUTT-JOINT CORNER
AT 5 1/4" BACK MEMBER

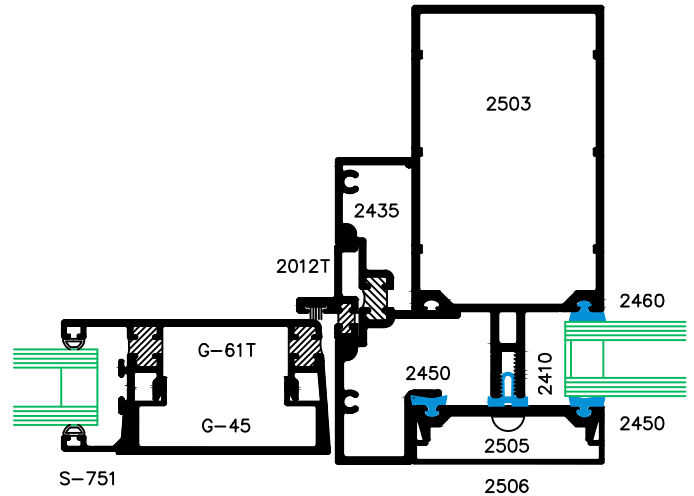
13

ALTERNATE DOOR DETAILS



GLACIER DOOR

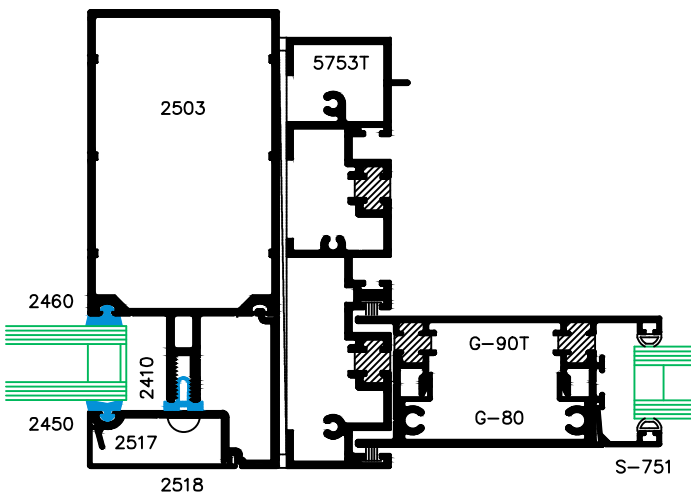
15



SWING DOORS

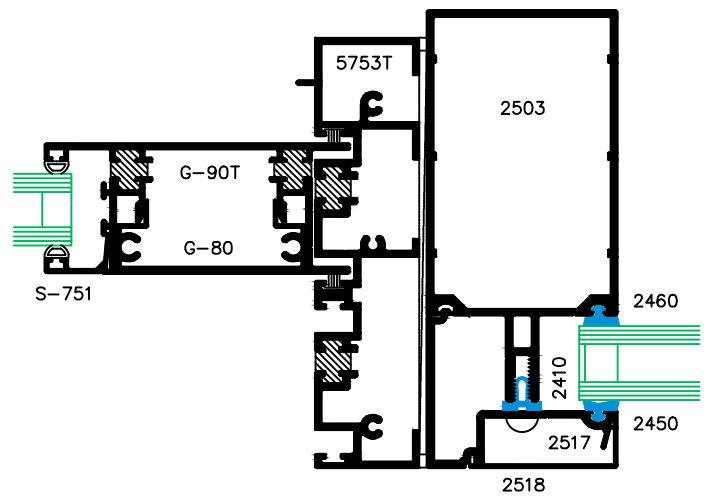
15a

GLACIER DOOR



1100T JAMB AT SLIDER

16

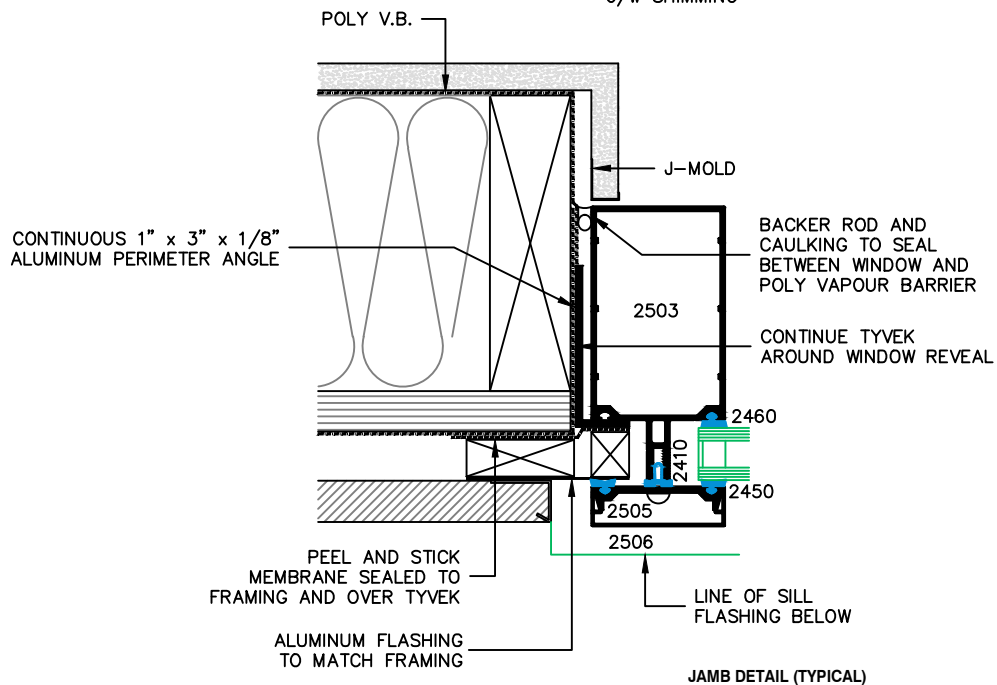
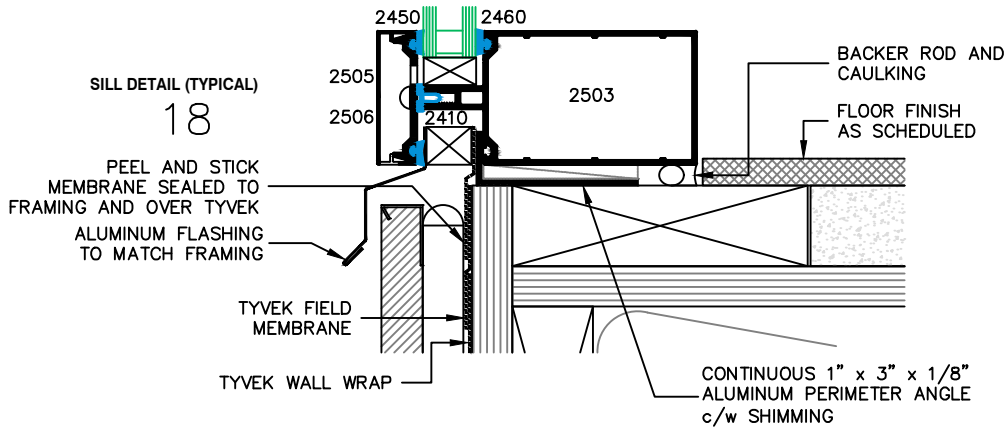
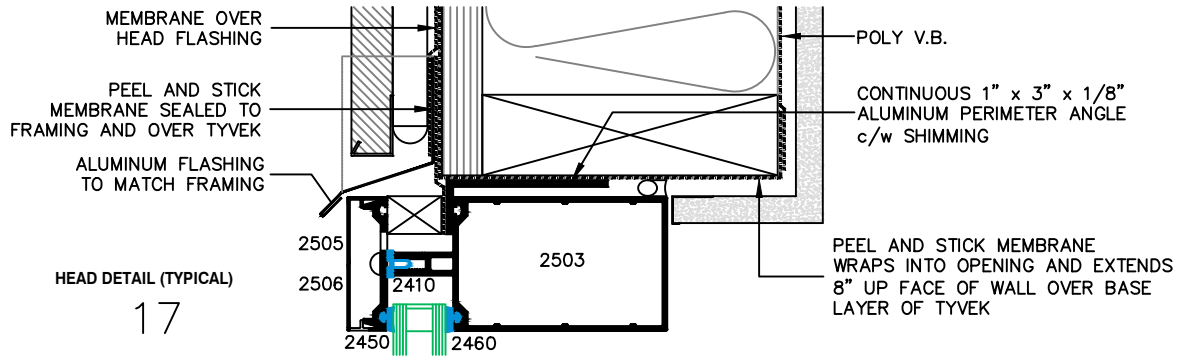


SLIDING DOORS

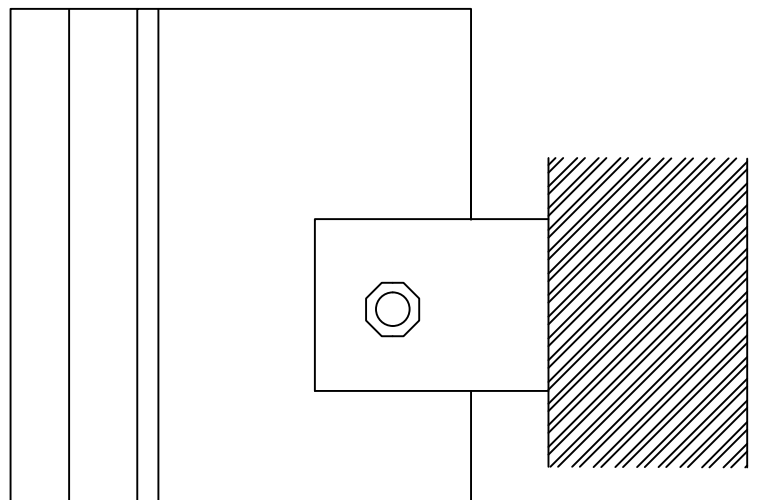
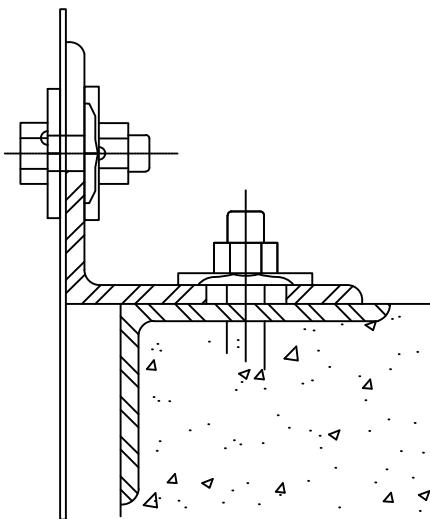
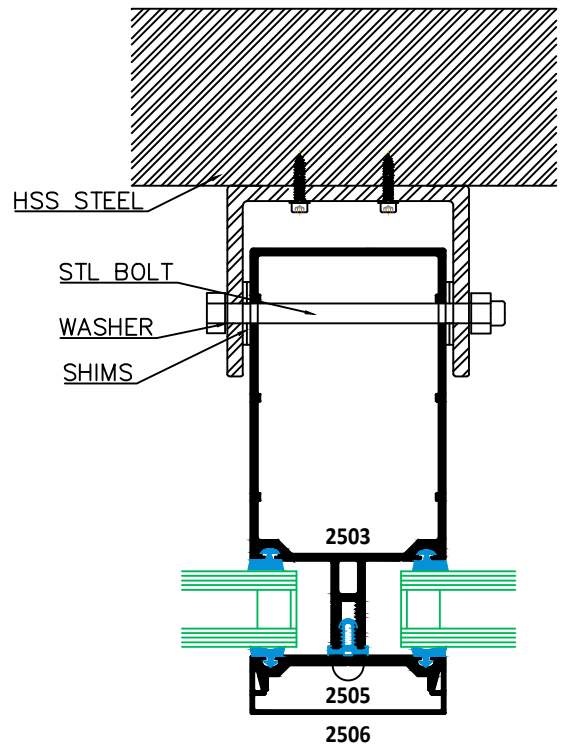
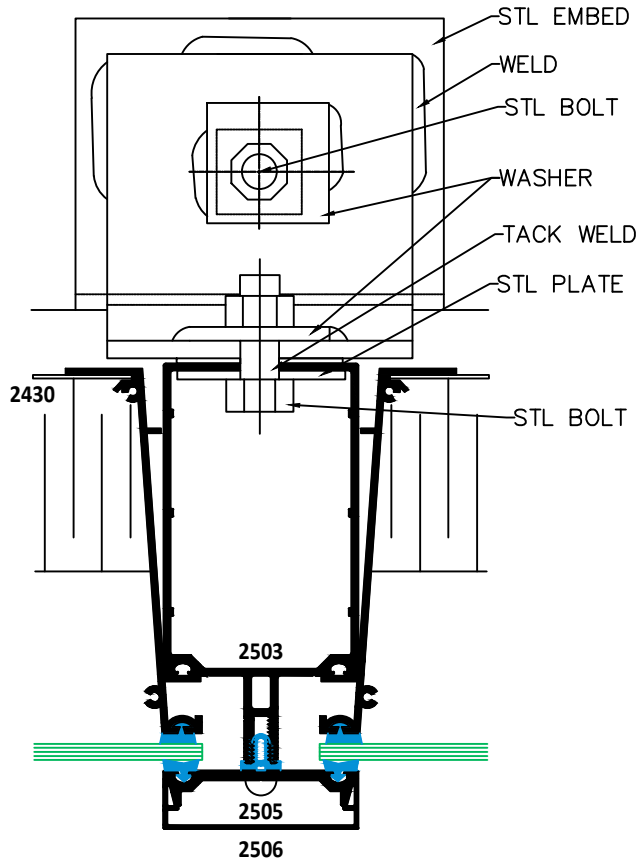
16a

1100T JAMB AT FIXED PANEL

INTERFACE DETAILS
(SUGGESTED ONLY)



TYPICAL ANCHORING DETAILS



SECTION DETAILS

EXPANSION & SPLICE DETAILS

