



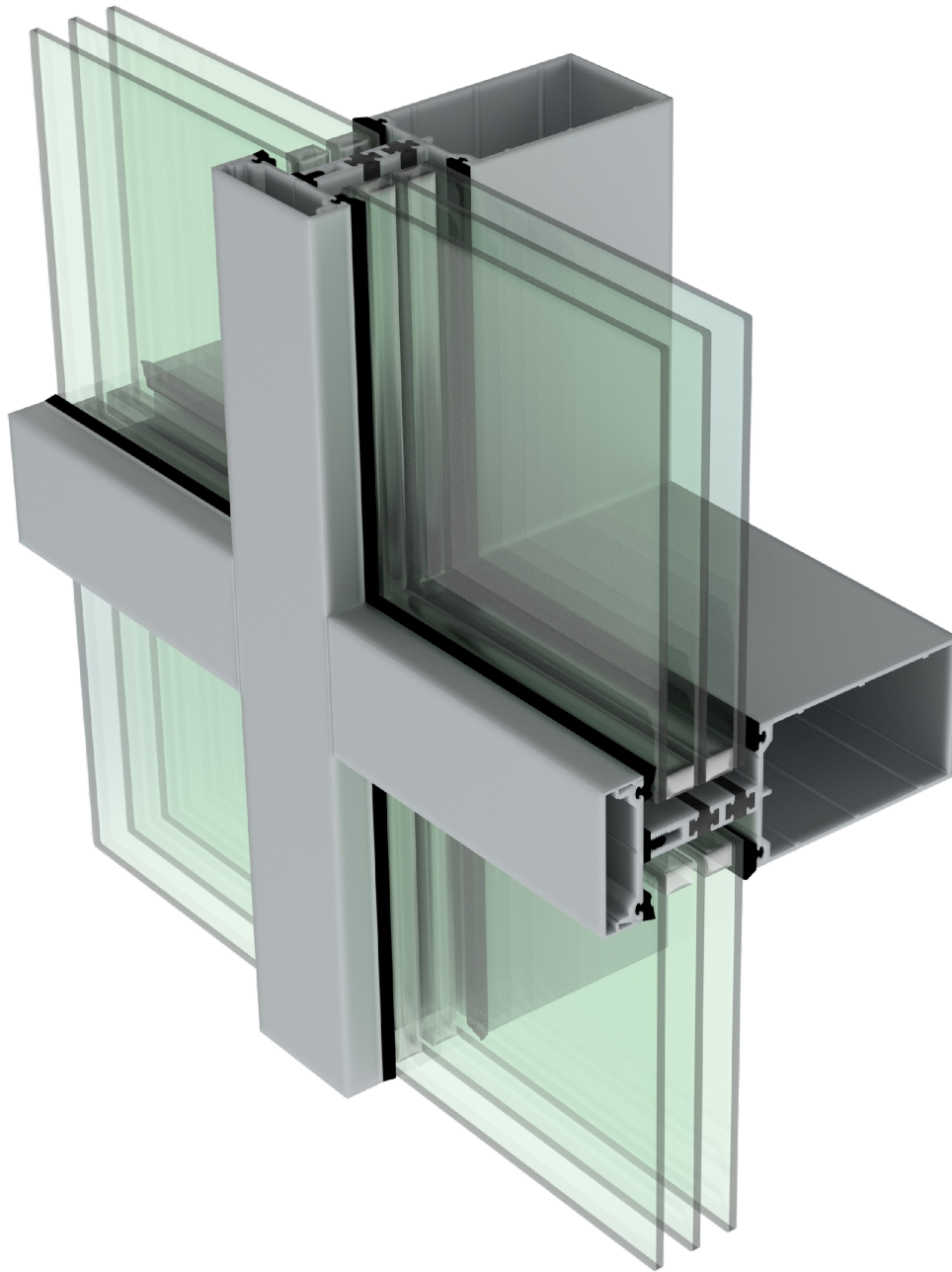
**METRO
ALUMINUM**

Products Ltd.

2500THP SERIES

TRIPLE GLAZED - THERMALLY BROKEN
CURTAIN WALL & WINDOW SYSTEM
2 1/2" (63.5 mm) - FRAME

D





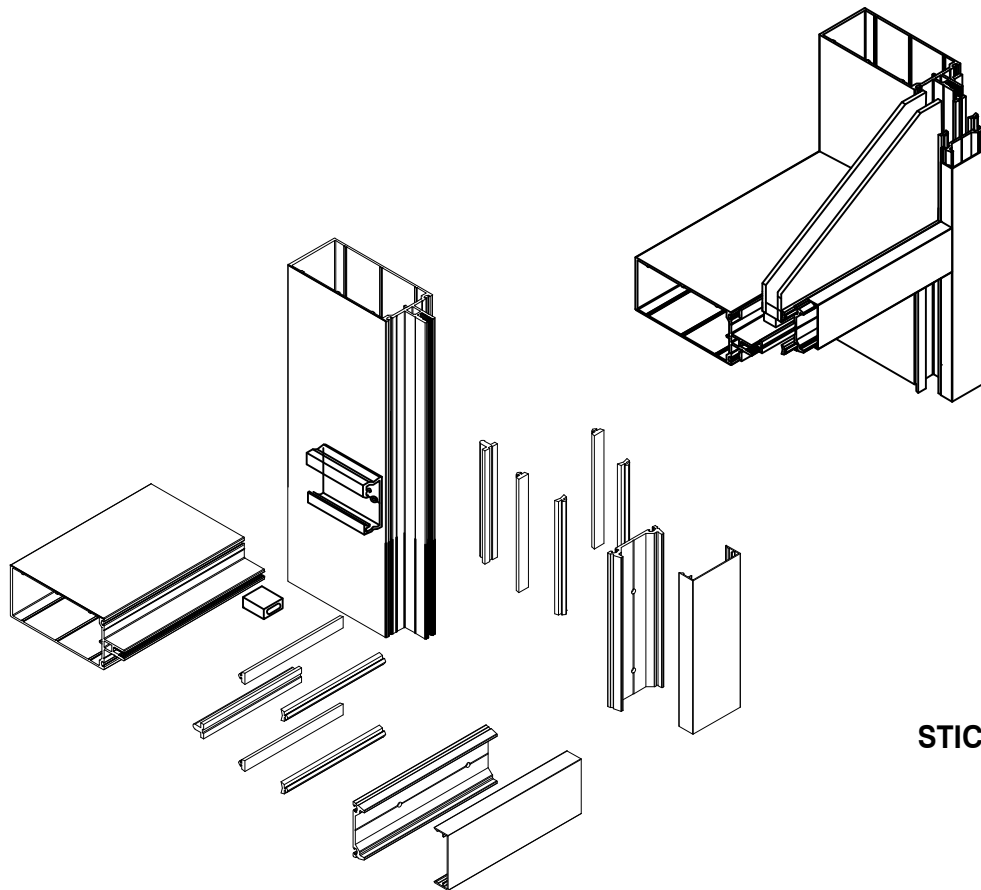
**METRO
ALUMINUM**
Products Ltd.

2500 SERIES

CURTAIN WALL & WINDOW SYSTEM
2 1/2" (63.5 mm) - FRAME

**D
35**

PICTORIAL (3D) PRESENTATION



STICK SYSTEM FRAMING

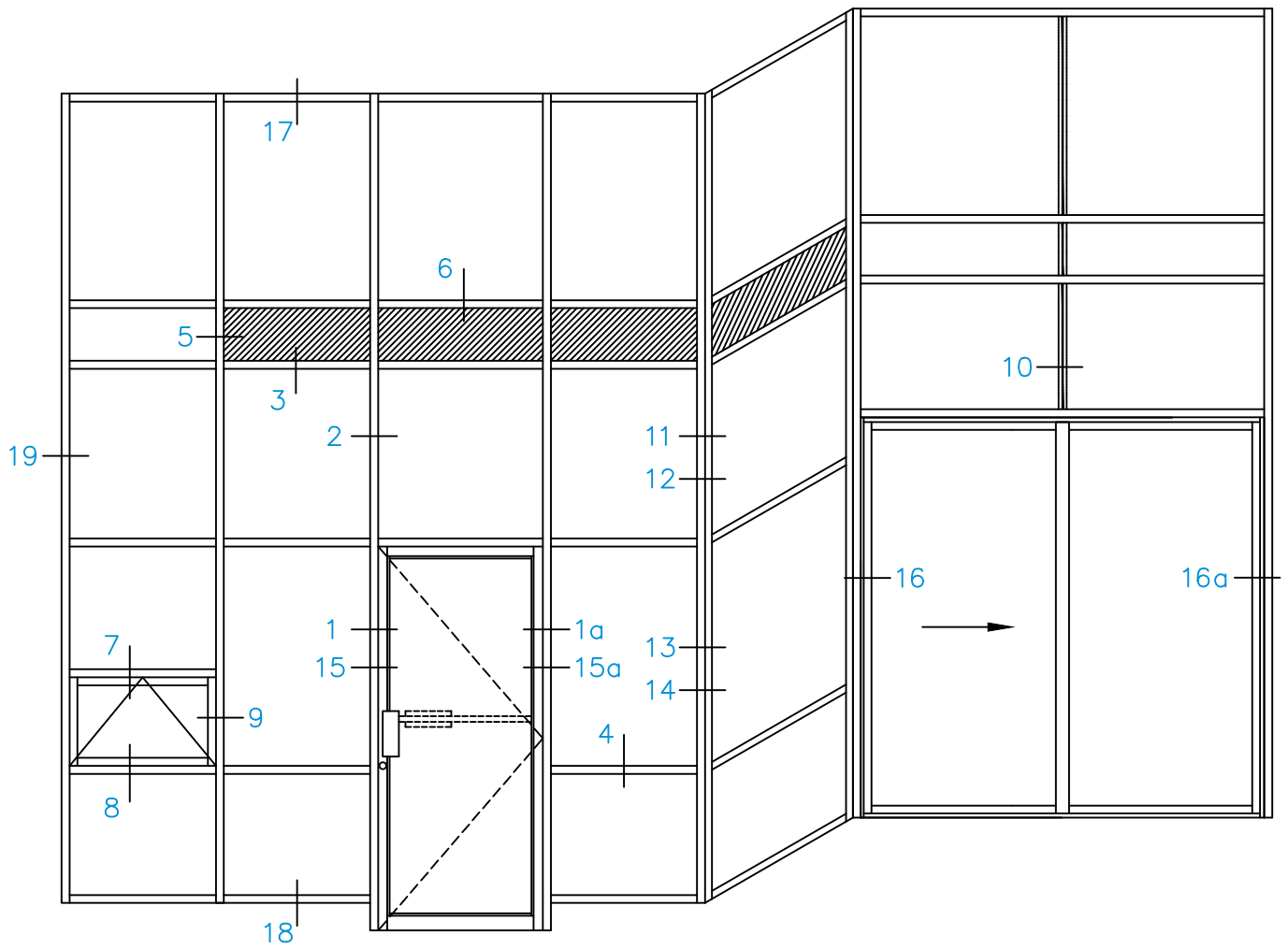


**METRO
ALUMINUM**
Products Ltd.

2500 SERIES

CURTAIN WALL & WINDOW SYSTEM
2 1/2" (63.5 mm) - FRAME

**D
36**



ELEVATION

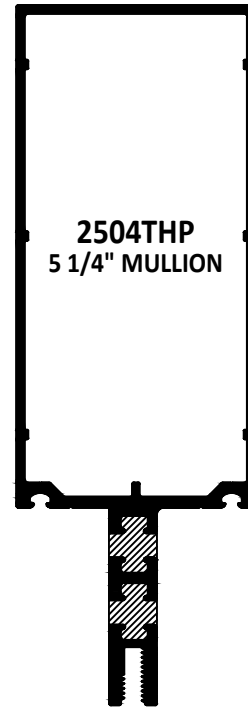
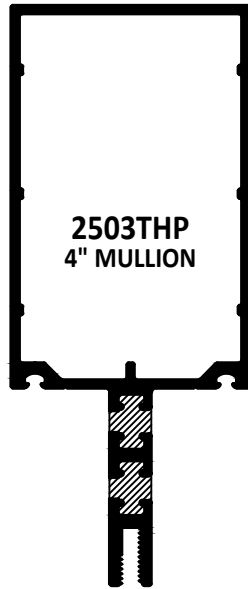


**METRO
ALUMINUM**
Products Ltd.

2500THP SERIES
TRIPLE GLAZED - THERMALLY BROKEN
CURTAIN WALL & WINDOW SYSTEM
2 1/2" (63.5 mm) - FRAME

**D
55**

BACK SECTIONS



2505
PRESSURE PLATE



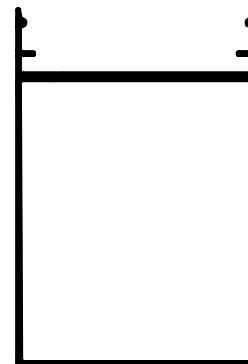
2505F
FIBRE GLASS PRESSURE PLATE



2506
3/4" CAP



2507
1 1/4" CAP



2508
3 3/4" CAP

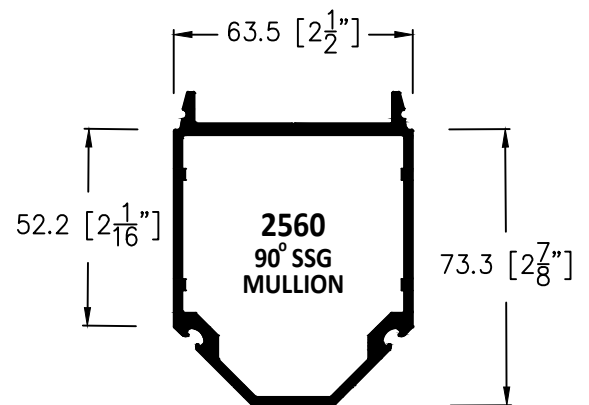
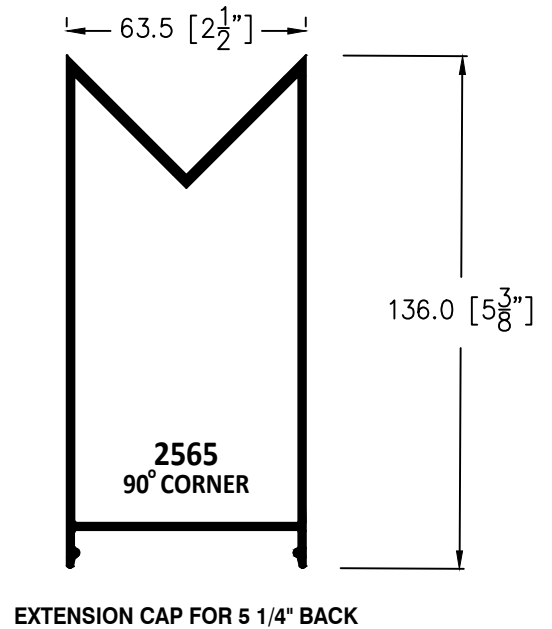
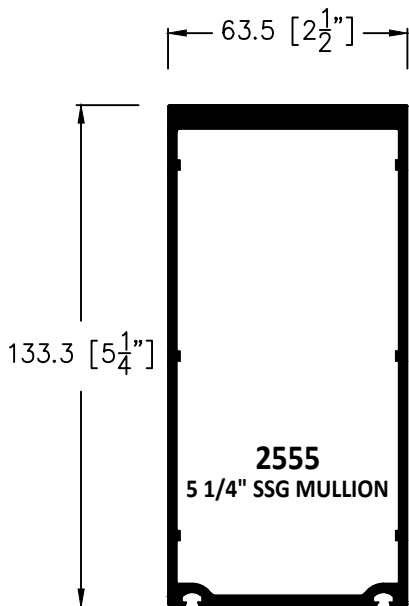
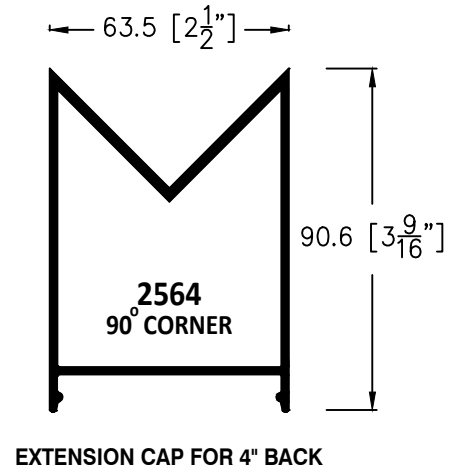
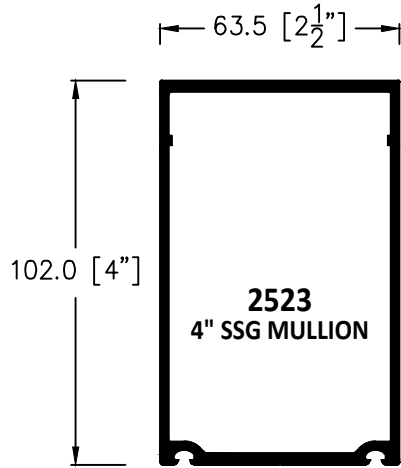


**METRO
ALUMINUM**
Products Ltd.

2500THP SERIES
TRIPLE GLAZED - THERMALLY BROKEN
CURTAIN WALL & WINDOW SYSTEM
2 1/2" (63.5 mm) - FRAME

**D
56**

SSG COMPONENTS





MISC. COMPONENTS



2410
THERMAL BREAK



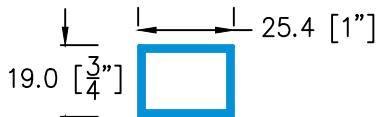
2515-3
CORNER BLOCK



2460
SPONGE GASKET
(INTERIOR)

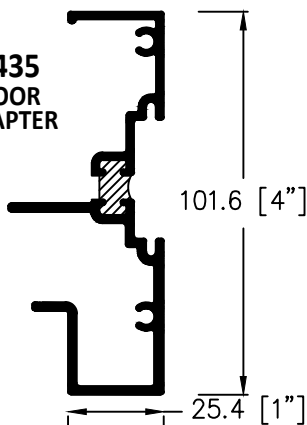


2450
DENSE GASKET
(EXTERIOR)

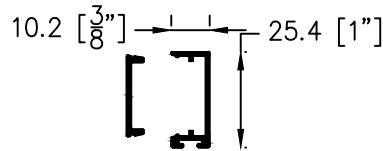


7501 PVC
ANTI-ROTATION

2435
DOOR
ADAPTER



2520
SPIGOT



2417/2418
SURFACE APPLIED
DOOR STOP



20120T
DOOR STOP
FOR 2" DOORS



2430
BACK-PAN
ADAPTOR



2012T
DOOR STOP
FOR 1 3/4" DOORS



5102
1" X 2" PERIMETER ANGLE



5103
1" X 3" PERIMETER ANGLE

6" THRESHOLDS FOR
4 1/2" SYSTEM

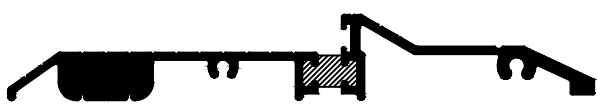
1506



1506T



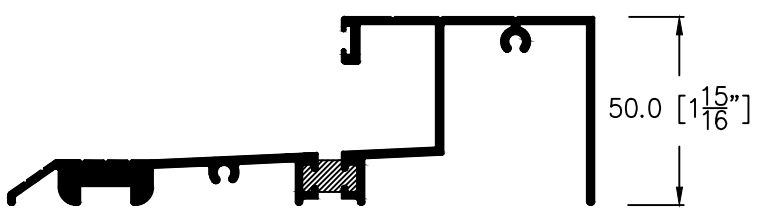
2106 BEVELLED



2106T SQUARE

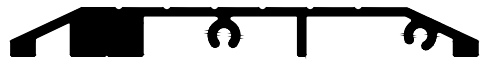


2107T SQUARE



5" THRESHOLDS FOR
3 1/4" SYSTEM

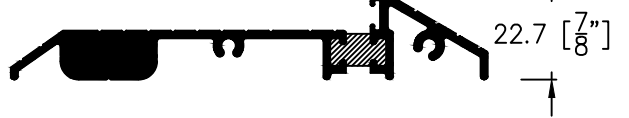
1306



1306T



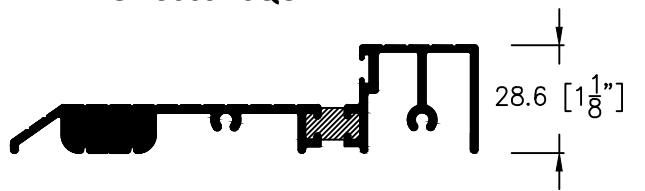
2306 BEVELLED



2306T SQUARE

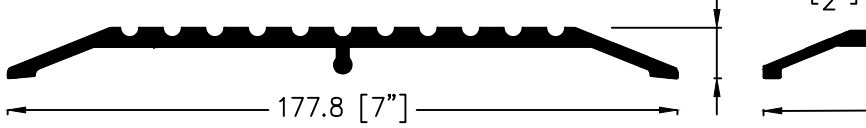


G-2306ST SQUARE



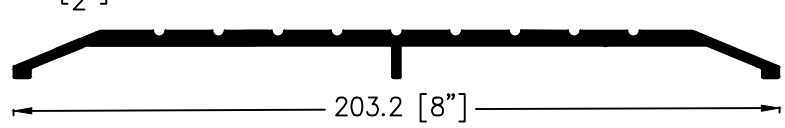
1507

7" THRESHOLDS

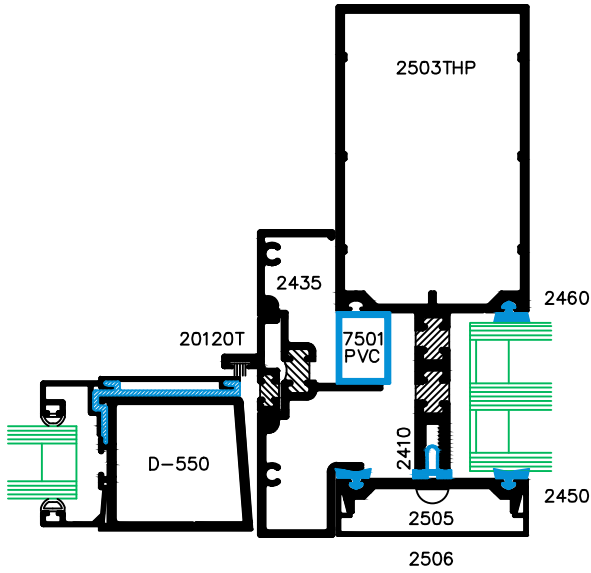


1508

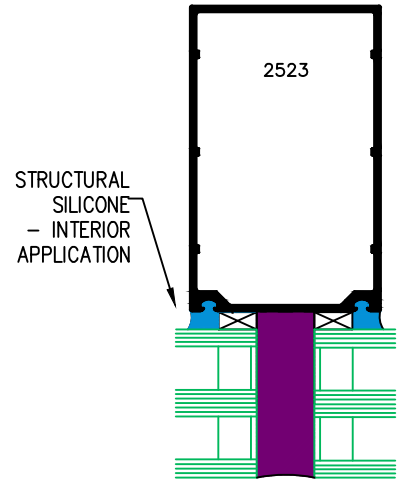
8" THRESHOLDS



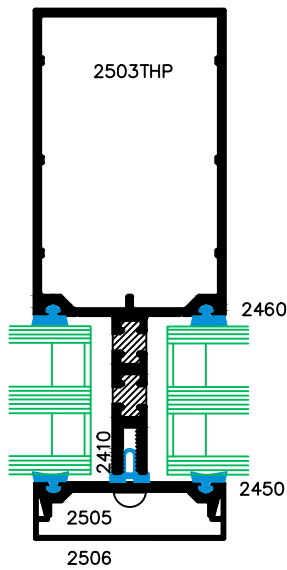
TYPICAL DETAILS



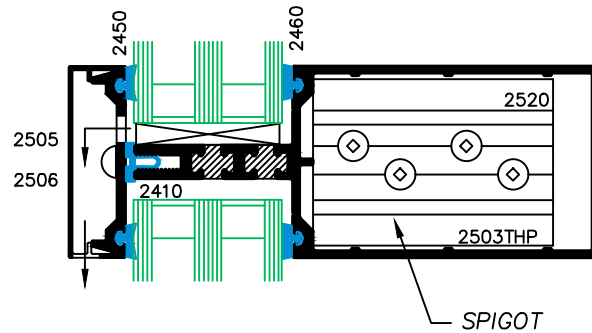
1a



10



2



4

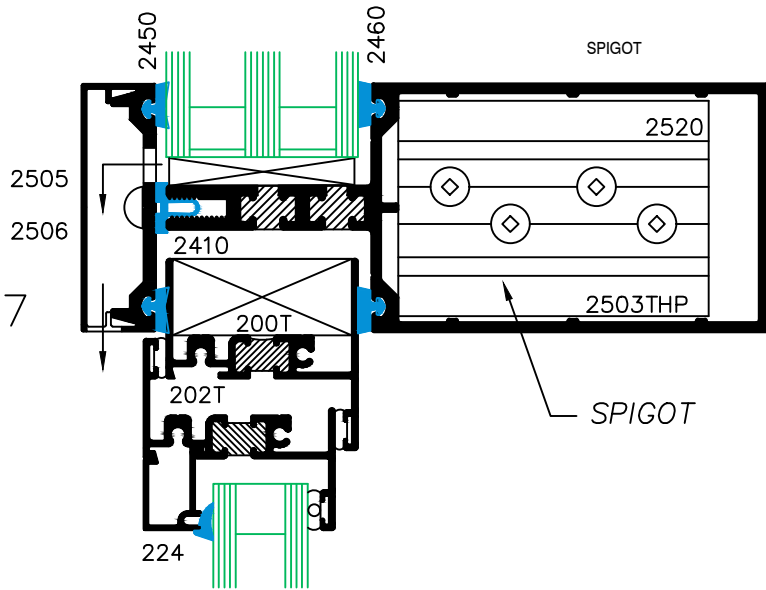


**METRO
ALUMINUM**
Products Ltd.

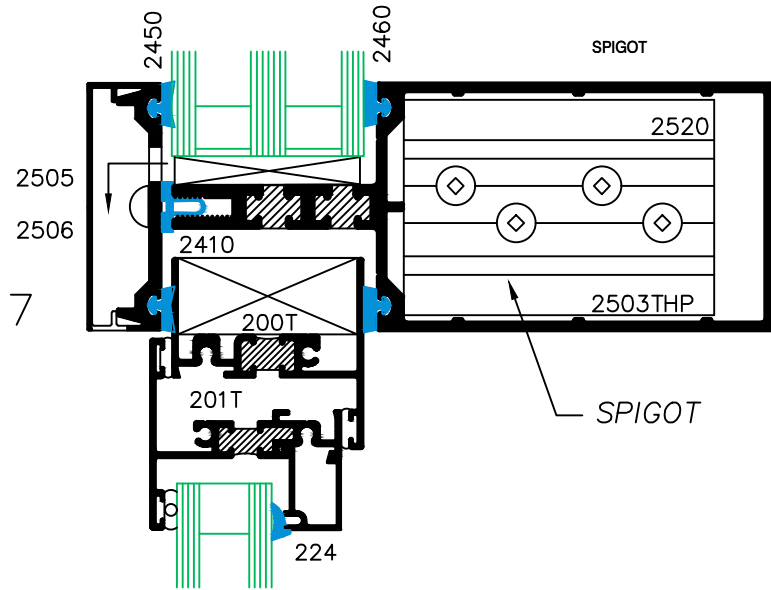
2500THP SERIES
TRIPLE GLAZED - THERMALLY BROKEN
CURTAIN WALL & WINDOW SYSTEM
2 1/2" (63.5 mm) - FRAME

**D
58A**

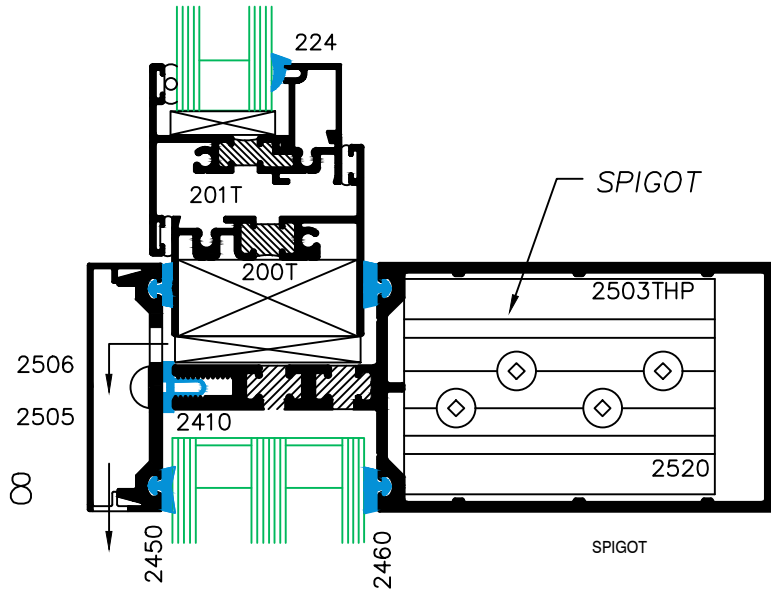
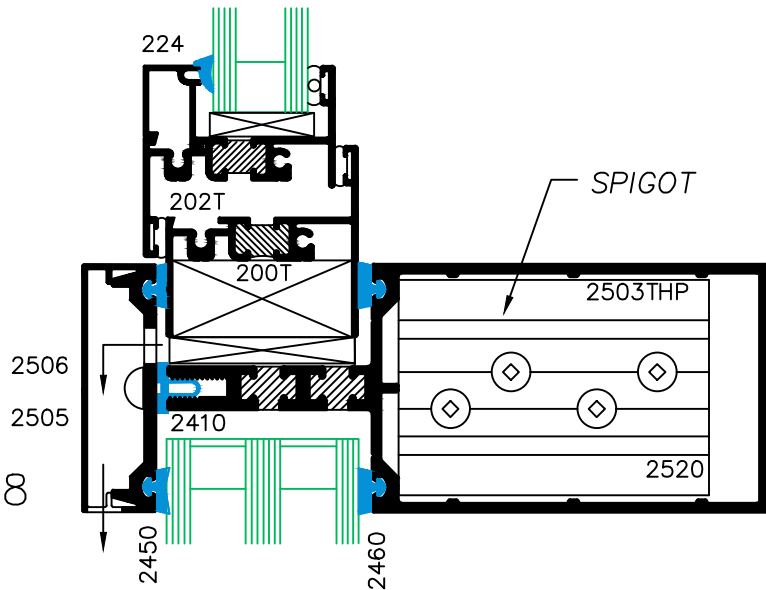
TYPICAL CURTAIN WALL VENT DETAILS



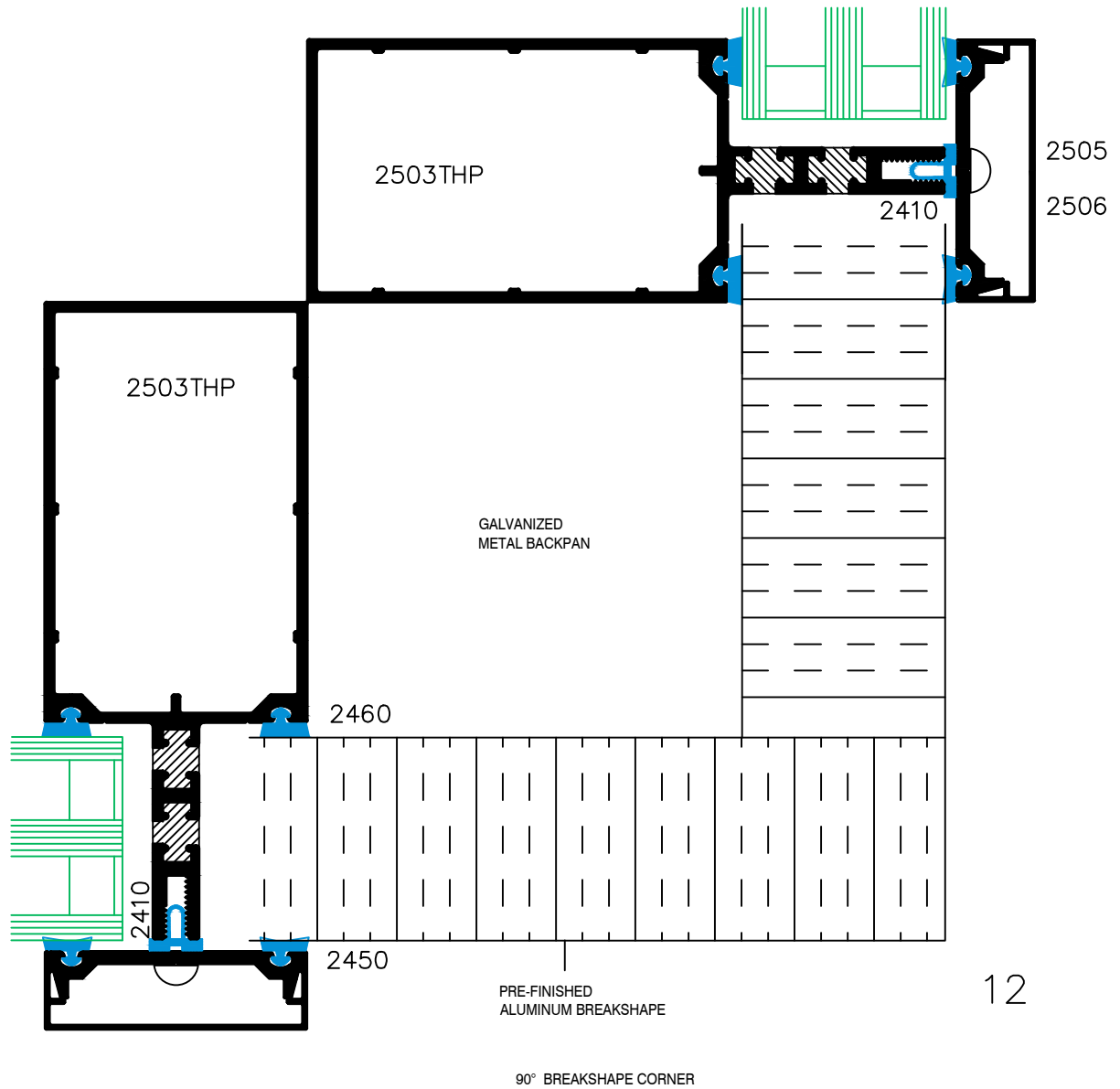
200T SERIES VENT
OPEN-OUT
OUTSIDE GLAZED



200T SERIES VENT
OPEN-OUT
INSIDE GLAZED



TYPICAL CAPTURED CORNER DETAILS



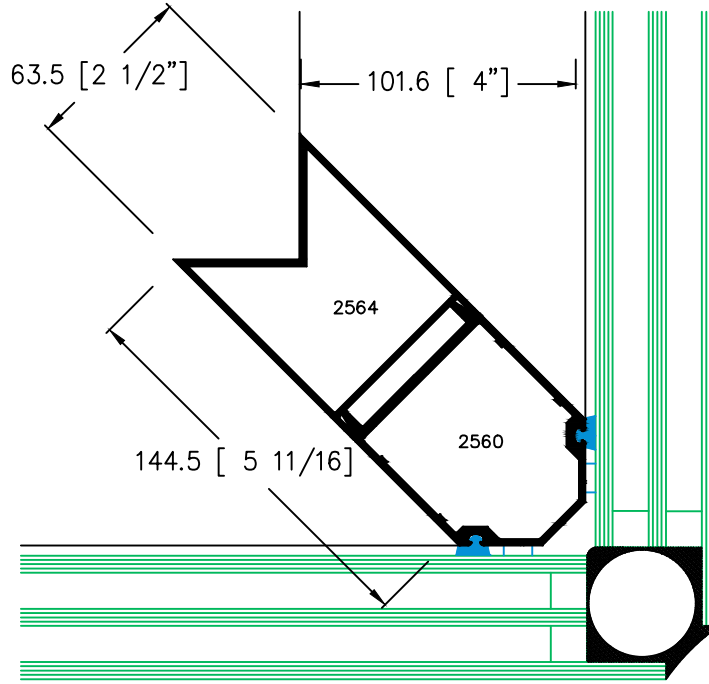


**METRO
ALUMINUM**
Products Ltd.

2500THP SERIES
TRIPLE GLAZED - THERMALLY BROKEN
CURTAIN WALL & WINDOW SYSTEM
2 1/2" (63.5 mm) - FRAME

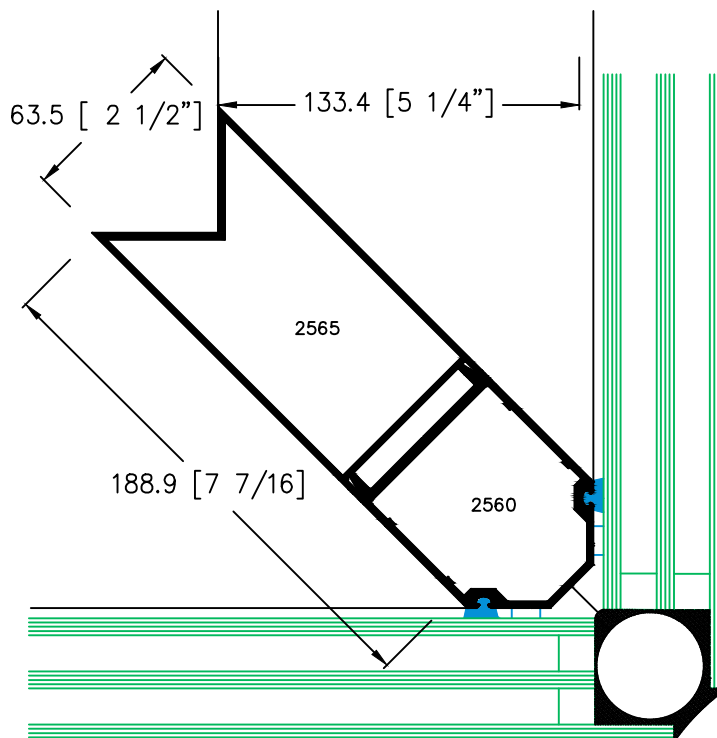
**D
58C**

TYPICAL BUTT-JOINT CORNER DETAILS



90° BUTT-JOINT CORNER
AT 4" BACK MEMBER

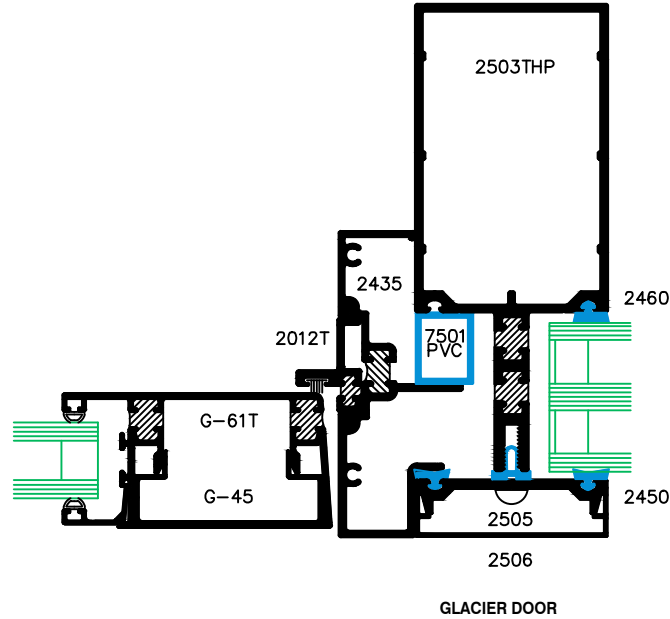
13



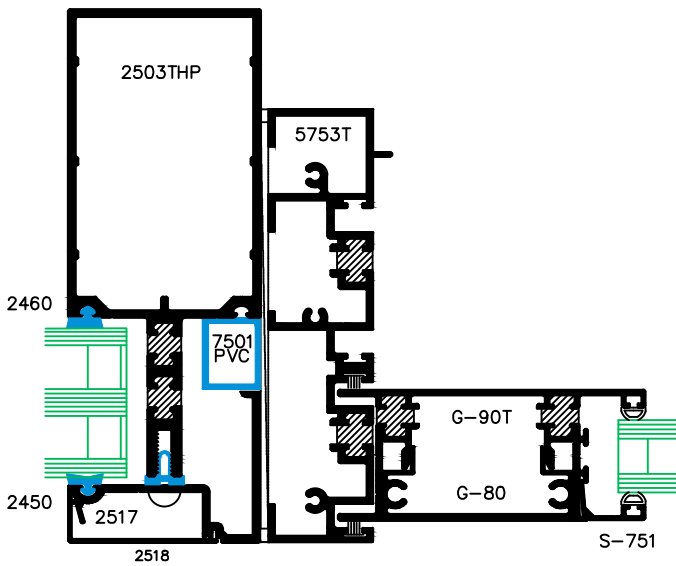
90° BUTT-JOINT CORNER
AT 5 1/4" BACK MEMBER

14

ALTERNATE DOOR DETAILS

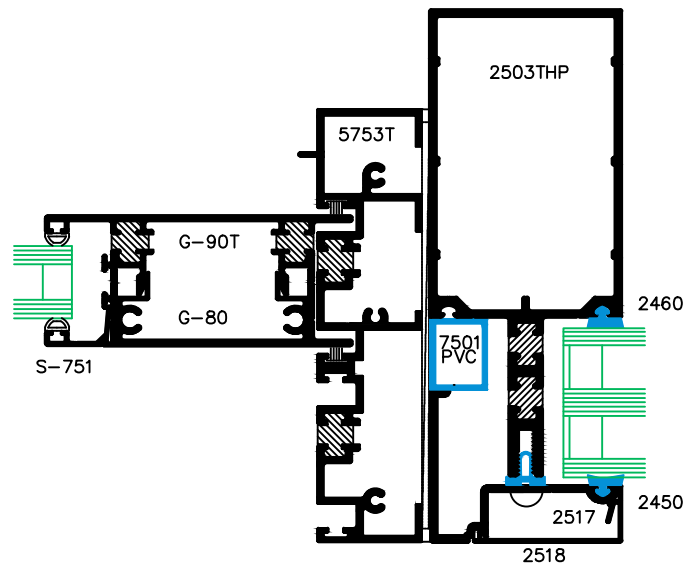


15a



1100T JAMB AT SLIDER

16

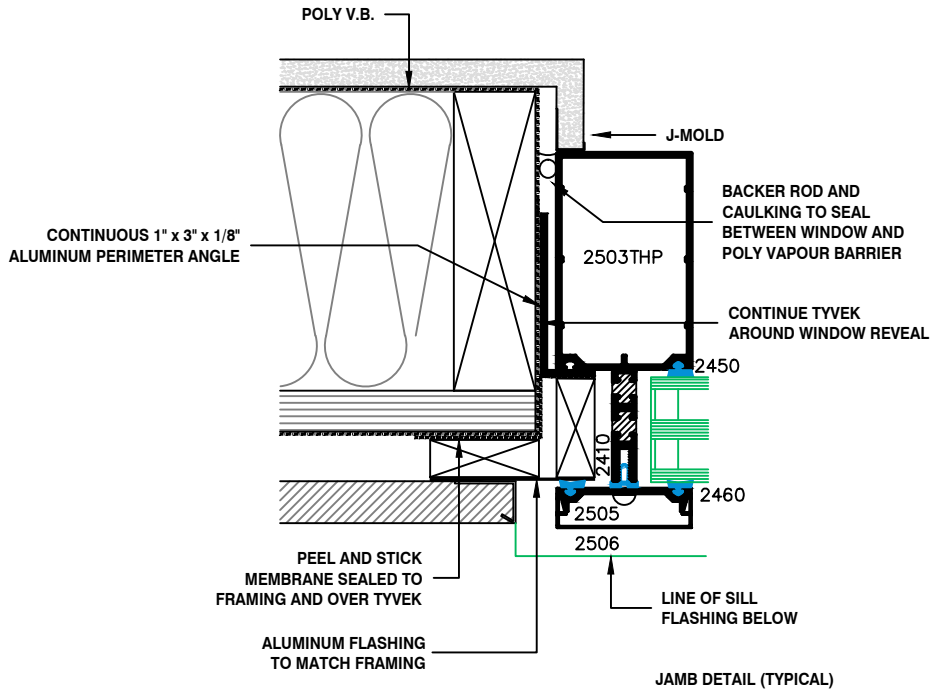
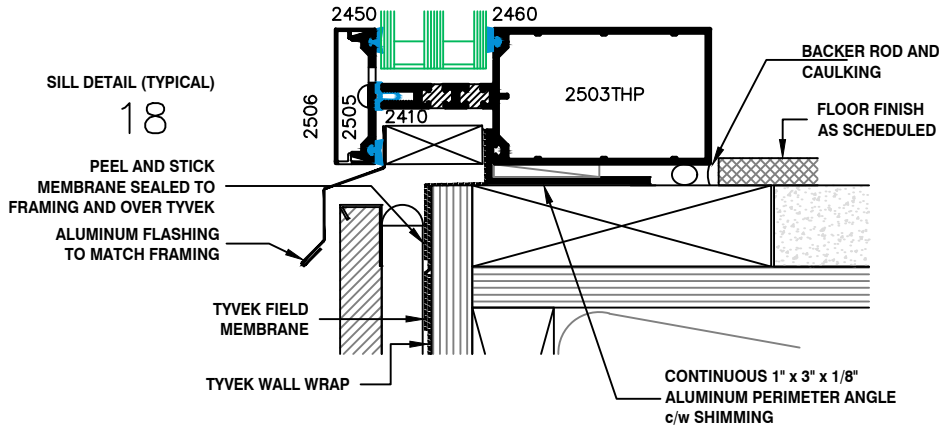
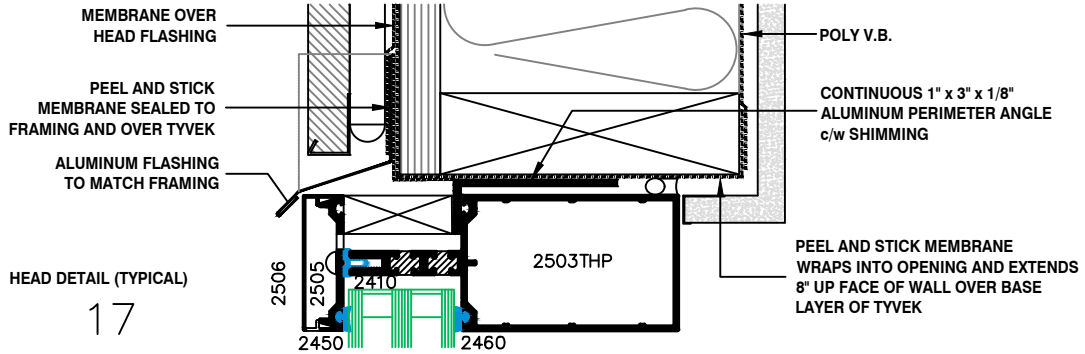


1100T JAMB AT FIXED PANEL

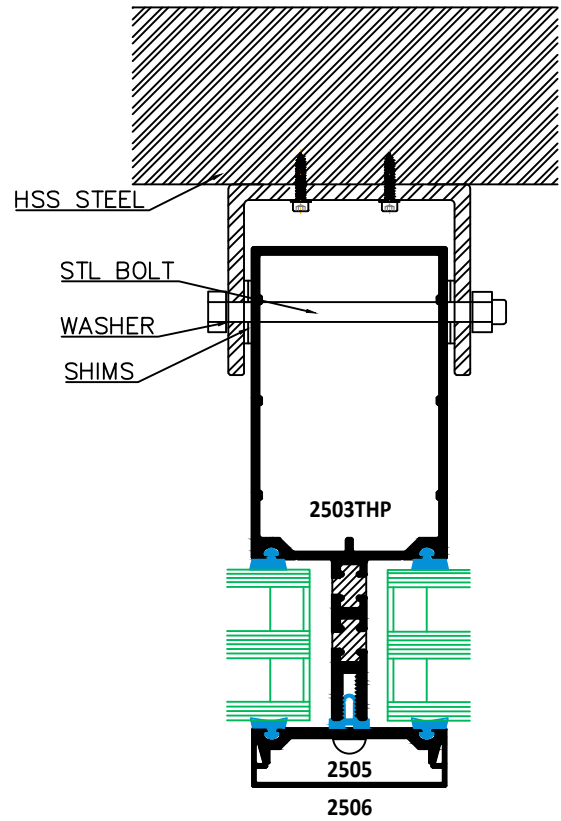
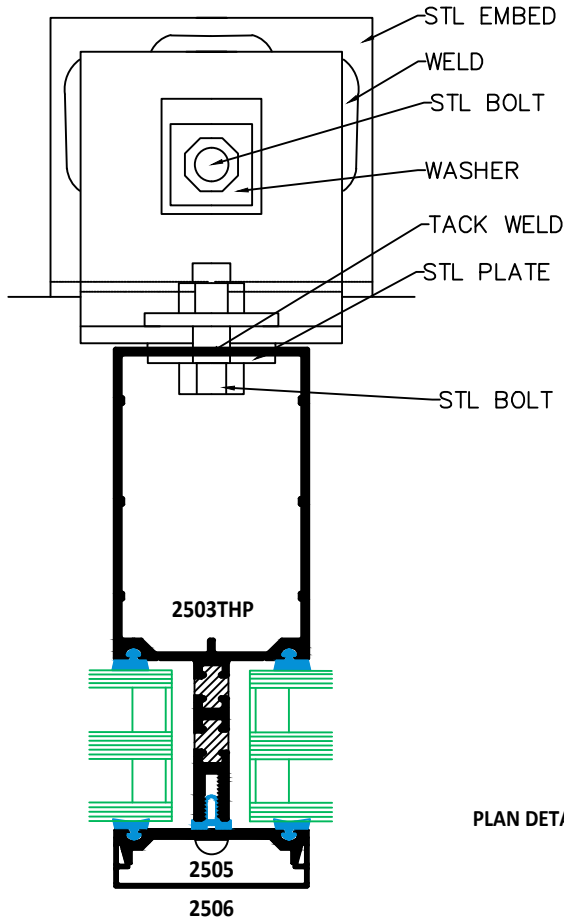
16a

SLIDING DOORS

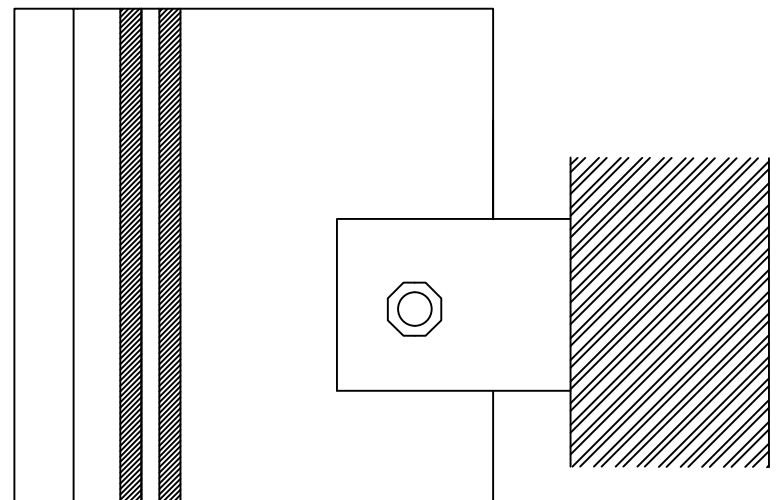
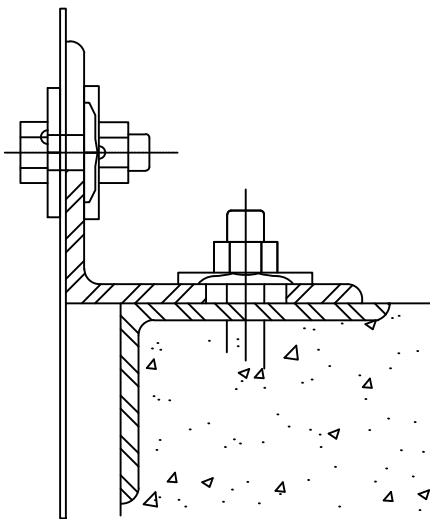
INTERFACE DETAILS
(SUGGESTED ONLY)



TYPICAL ANCHORING DETAILS



PLAN DETAILS



SECTION DETAILS

EXPANSION & SPLICE DETAILS

