



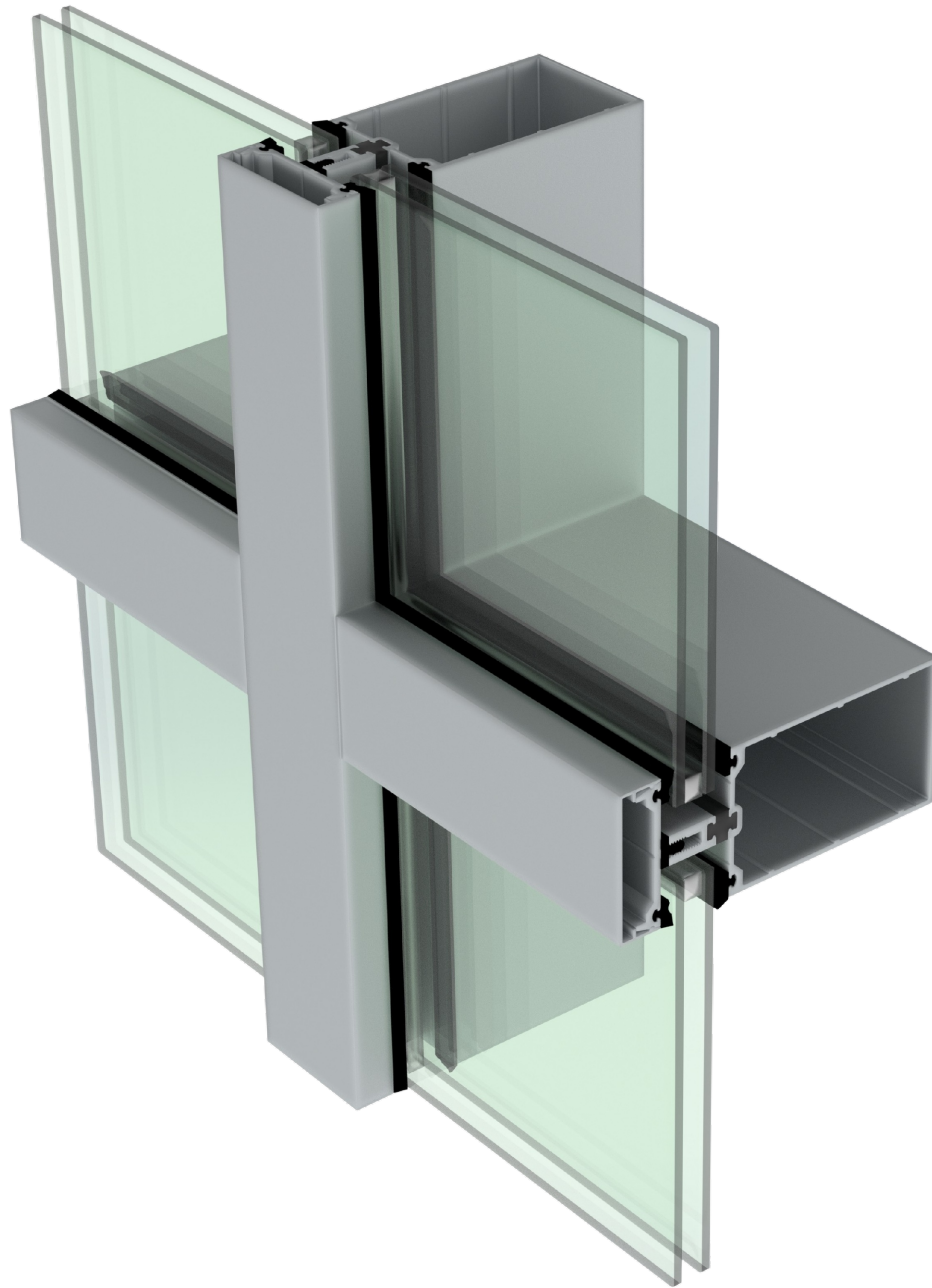
**METRO
ALUMINUM**

Products Ltd.

2500T SERIES

THERMALLY BROKEN
CURTAIN WALL & WINDOW SYSTEM
2 1/2" (63.5 mm) - FRAME

D





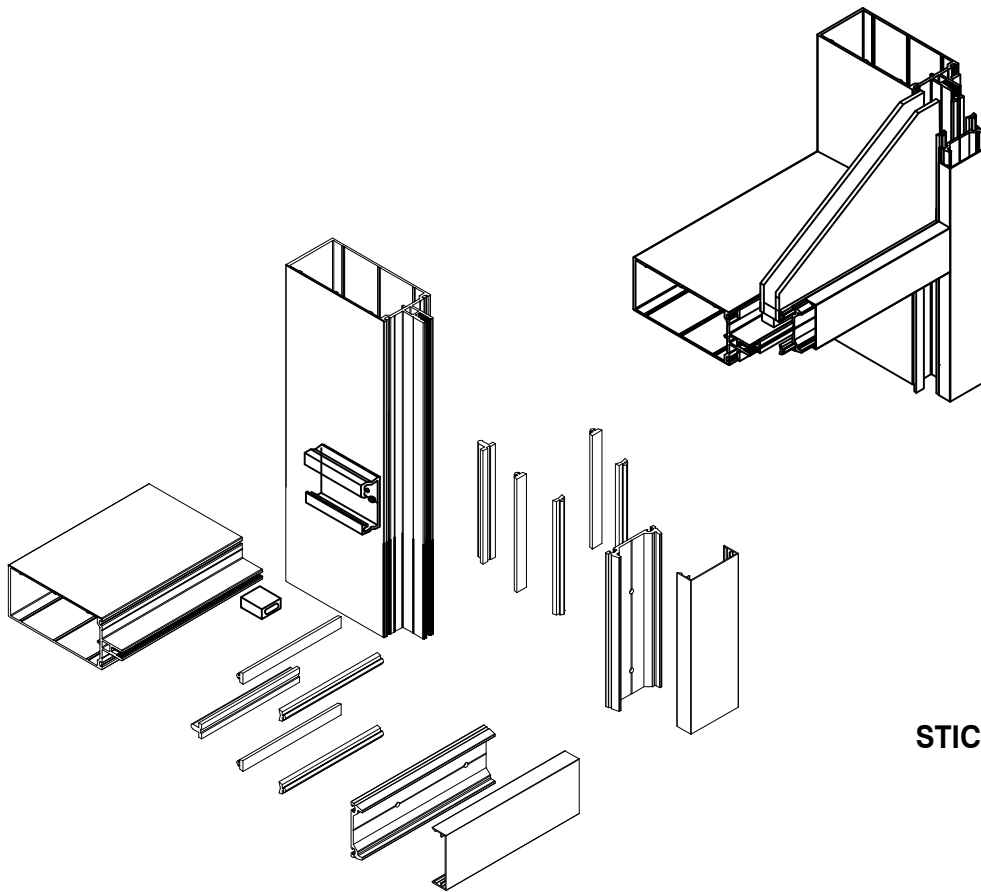
**METRO
ALUMINUM**
Products Ltd.

2500 SERIES

CURTAIN WALL & WINDOW SYSTEM
2 1/2" (63.5 mm) - FRAME

**D
35**

PICTORIAL (3D) PRESENTATION



STICK SYSTEM FRAMING

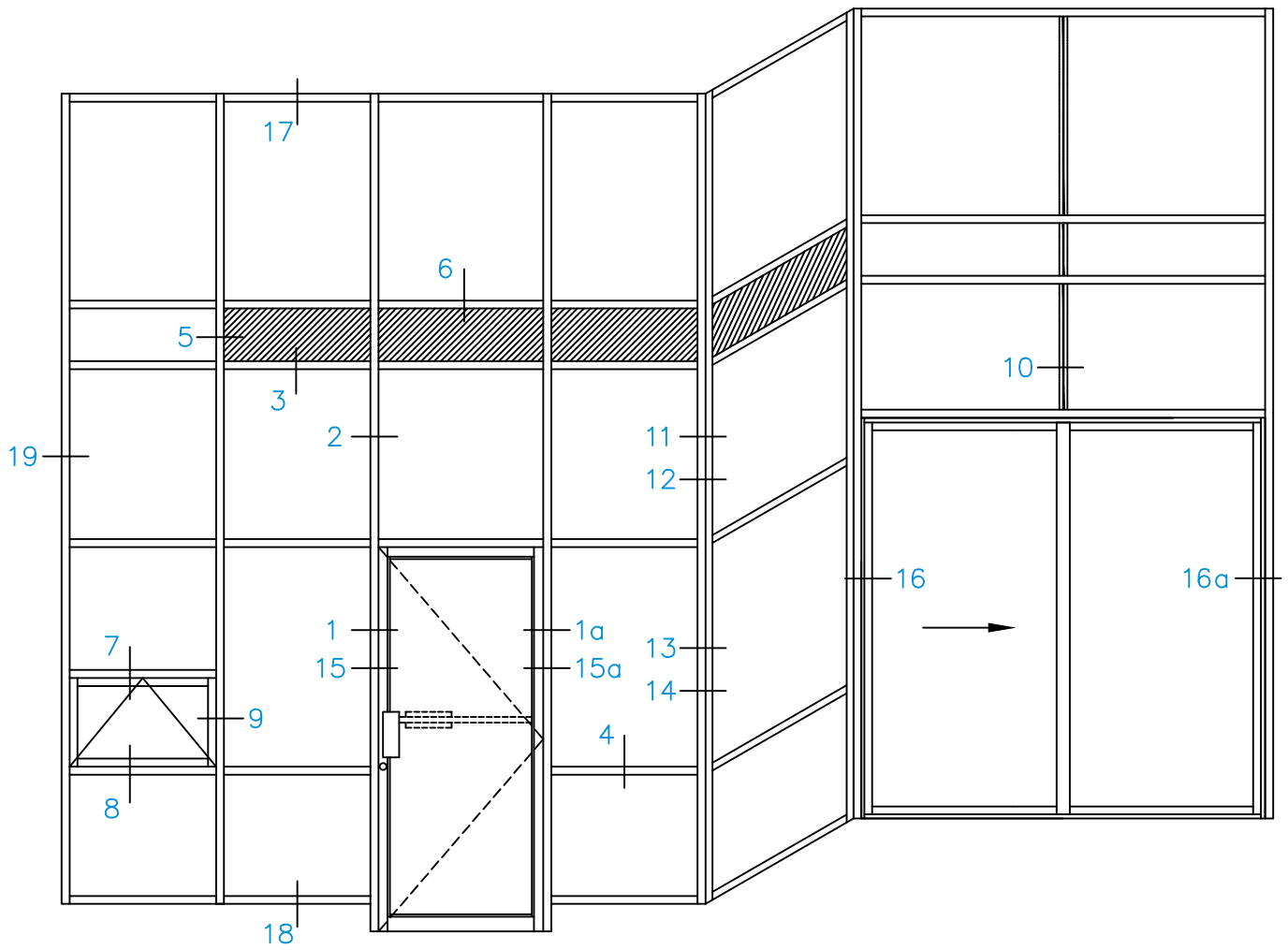


**METRO
ALUMINUM**
Products Ltd.

2500 SERIES

CURTAIN WALL & WINDOW SYSTEM
2 1/2" (63.5 mm) - FRAME

**D
36**



ELEVATION



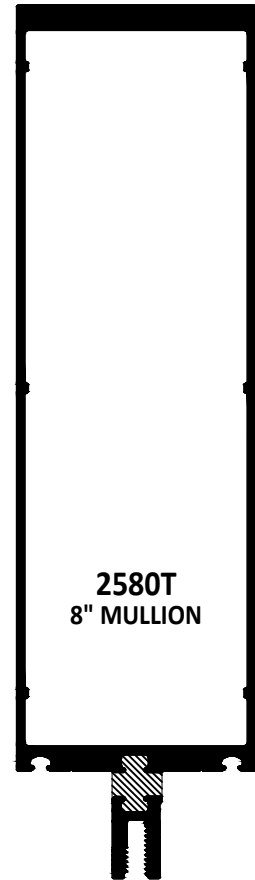
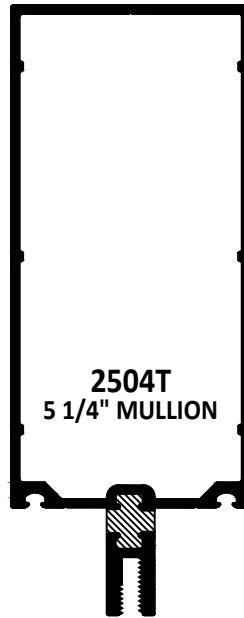
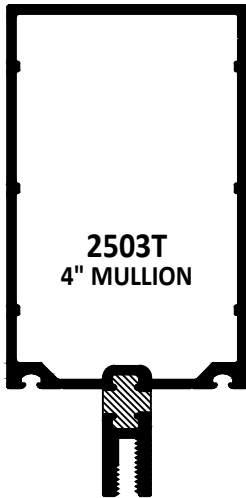
**METRO
ALUMINUM**
Products Ltd.

2500T SERIES

THERMALLY BROKEN
CURTAIN WALL & WINDOW SYSTEM
2 1/2" (63.5 mm) - FRAME

**D
45**

BACK SECTIONS



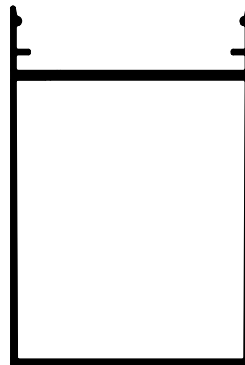
2505
PRESSURE PLATE



2507
1 1/4" CAP



2505F
FIBRE GLASS PRESSURE PLATE



2508
3 3/4" CAP



2506
3/4" CAP



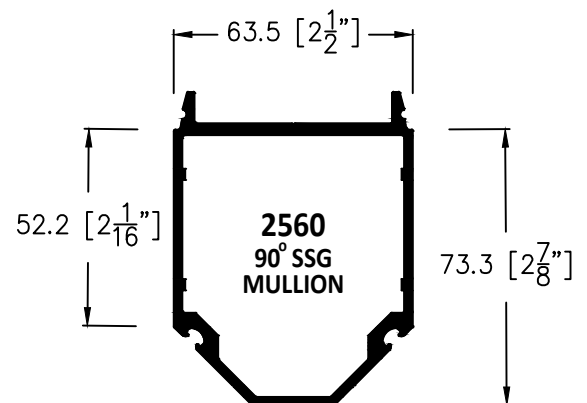
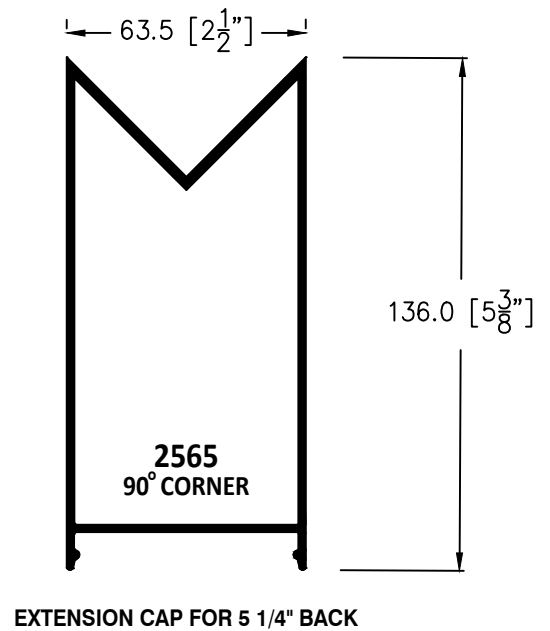
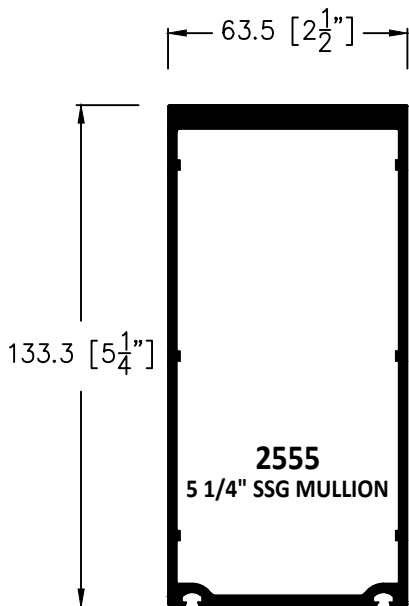
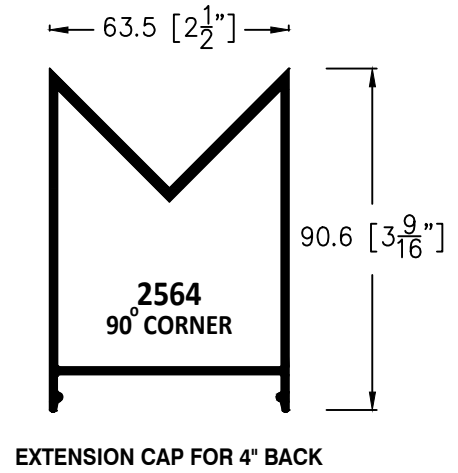
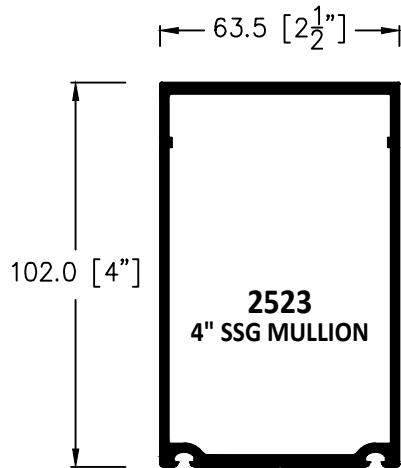
**METRO
ALUMINUM**
Products Ltd.

2500T SERIES

THERMALLY BROKEN
CURTAIN WALL & WINDOW SYSTEM
2 1/2" (63.5 mm) - FRAME

**D
46**

SSG COMPONENTS





MISC. COMPONENTS



2410
THERMAL BREAK



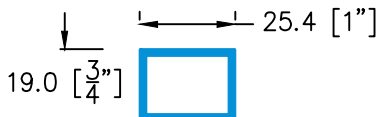
2515
CORNER BLOCK



2460
SPONGE GASKET
(INTERIOR)

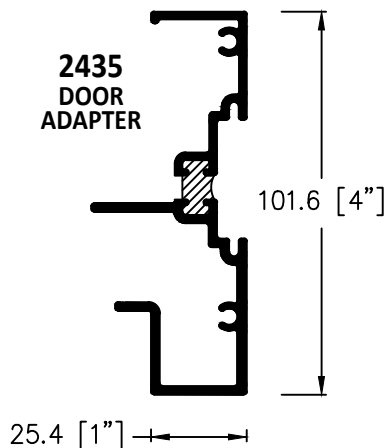


2450
DENSE GASKET
(EXTERIOR)

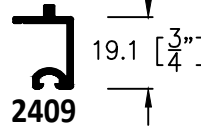


7501
PVC
ANTI-ROTATION

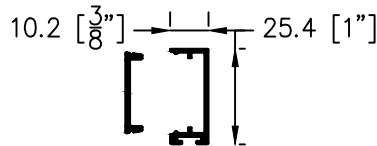
2435
DOOR
ADAPTER



2520
SPIGOT



2409
SINGLE GLASS
ADAPTOR



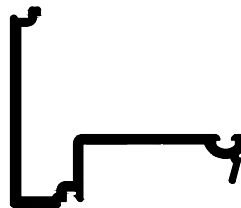
2417/2418
SURFACE APPLIED
DOOR STOP



20120T
DOOR STOP
FOR 2" DOORS



2012T
DOOR STOP
FOR 1 3/4" DOORS



2517
FLUSH DOOR
ADAPTOR



2518
FLUSH DOOR
ADAPTOR CAP



5102
1" X 2" PERIMETER ANGLE



5103
1" X 3" PERIMETER ANGLE



2430
BACK-PAN
ADAPTOR

6" THRESHOLDS FOR
4 1/2" SYSTEM

1506



1506T



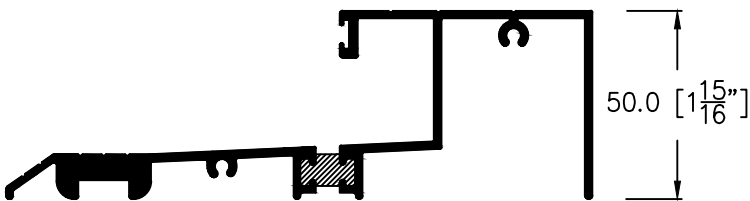
2106 BEVELLED



2106T SQUARE



2107T SQUARE



5" THRESHOLDS FOR
3 1/4" SYSTEM

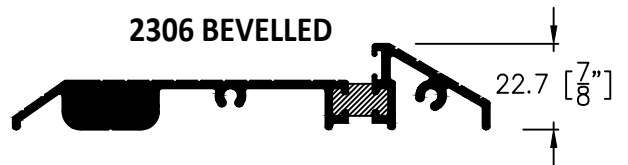
1306



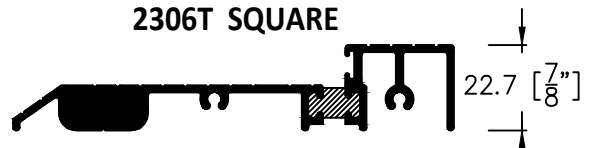
1306T



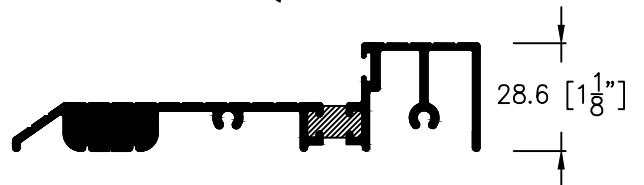
2306 BEVELLED



2306T SQUARE

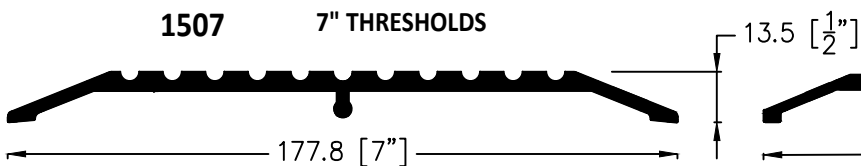


G-2306ST SQUARE



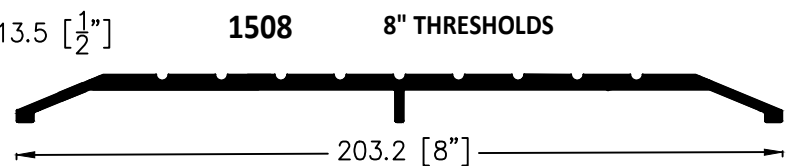
1507

7" THRESHOLDS



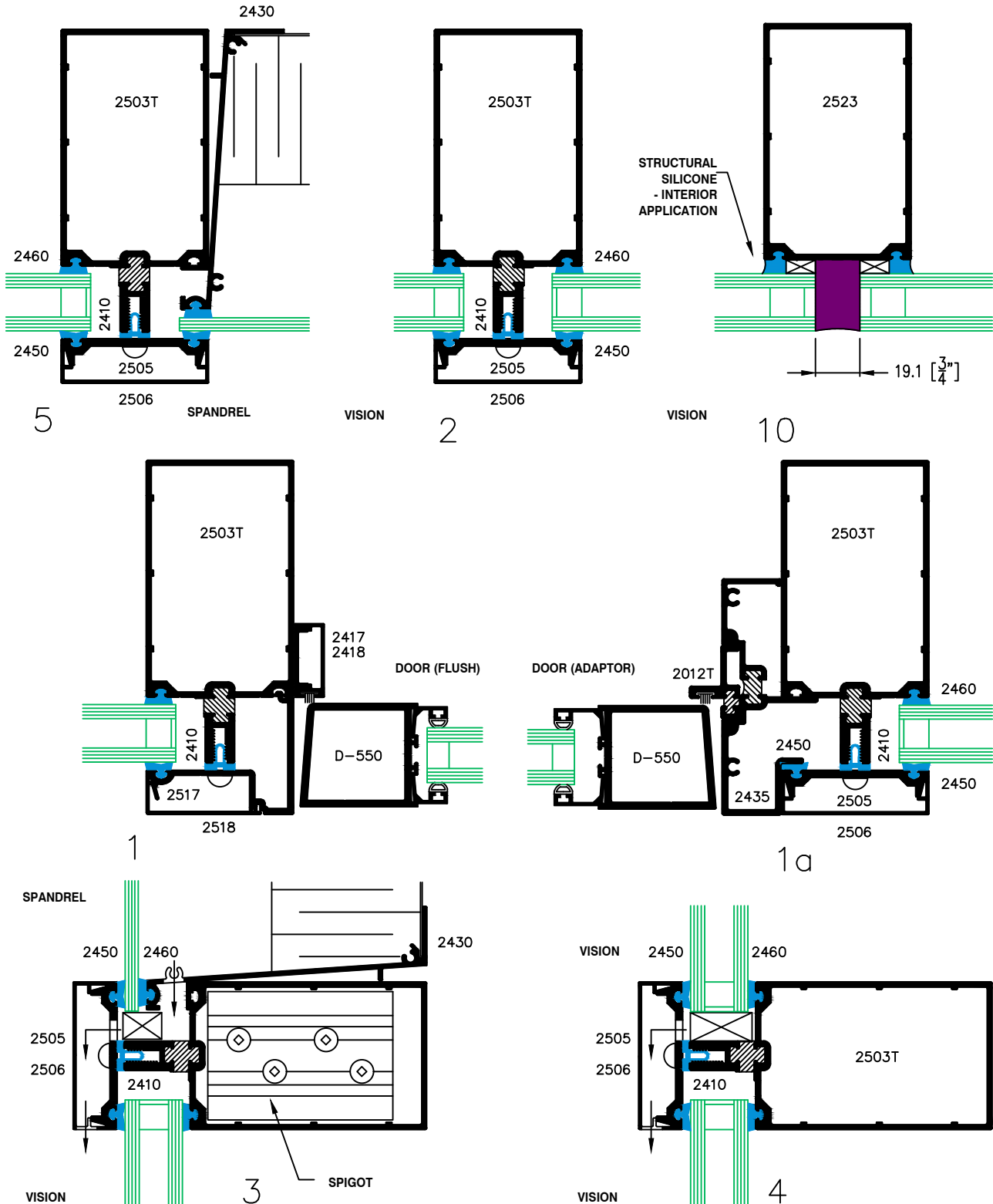
1508

8" THRESHOLDS

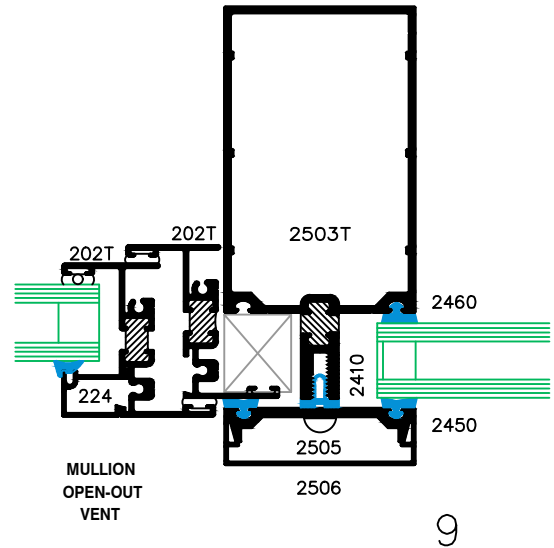
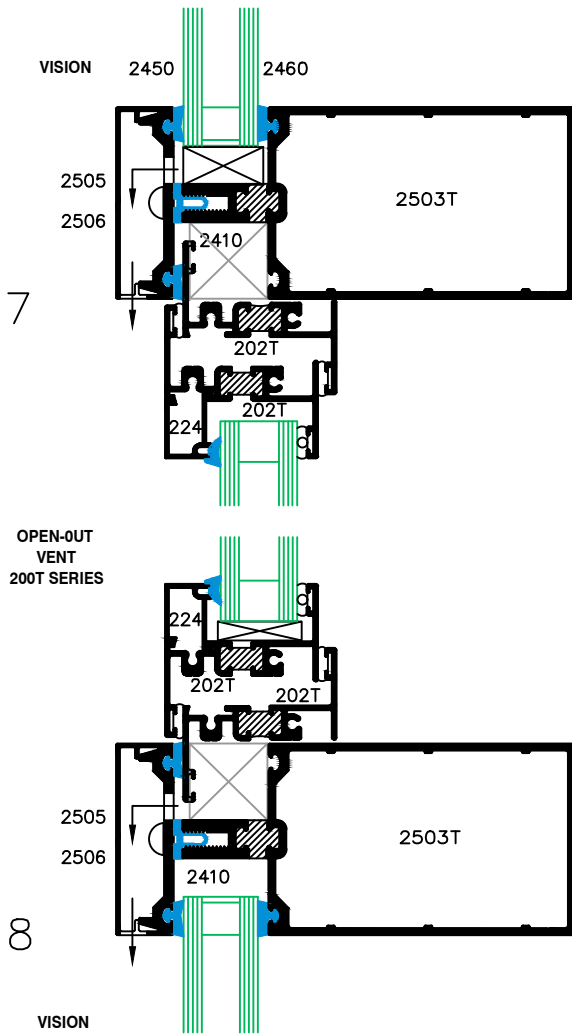




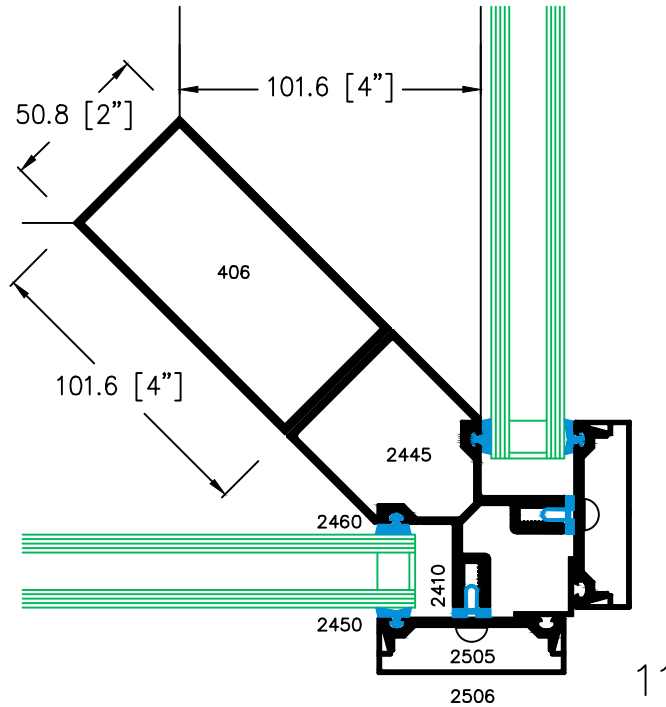
TYPICAL DETAILS



TYPICAL DETAILS

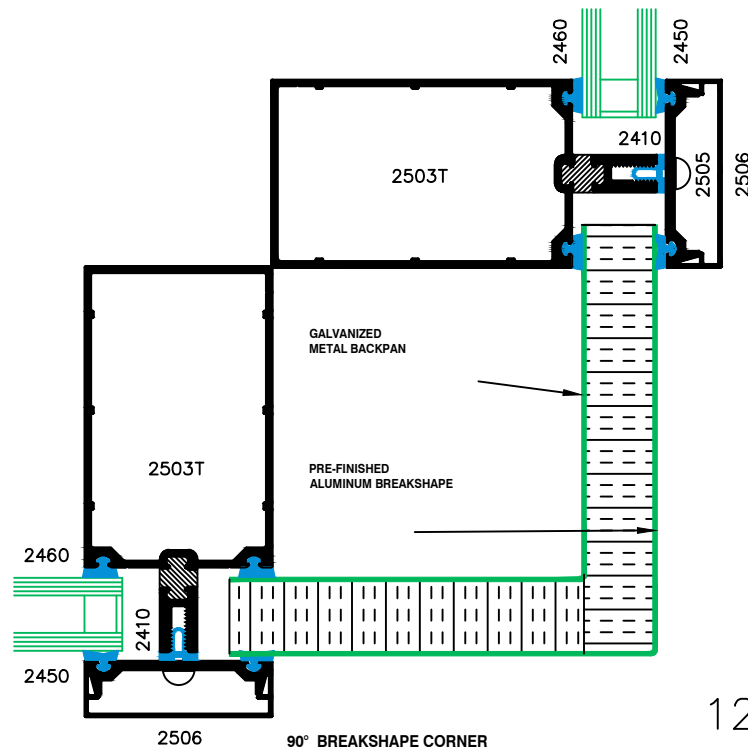


TYPICAL CAPTURED CORNER DETAILS



11

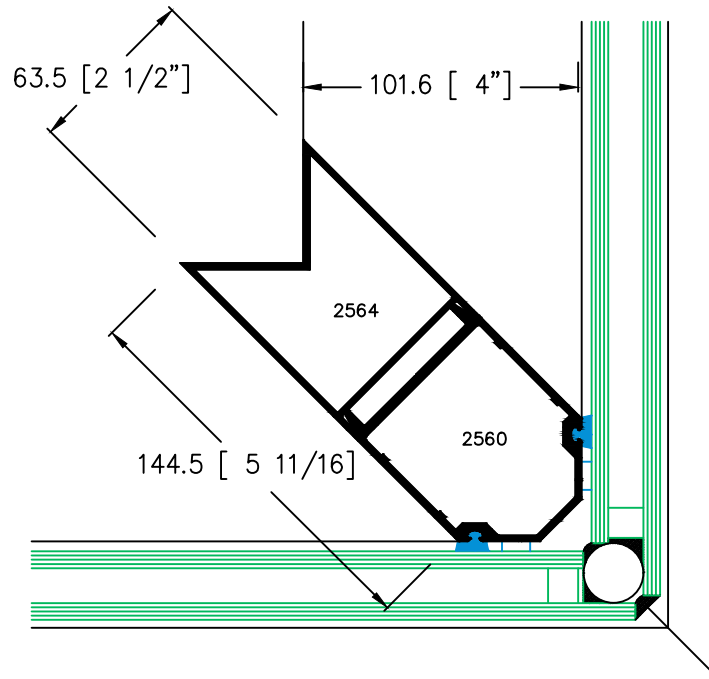
90° CAPTURED CORNER



12

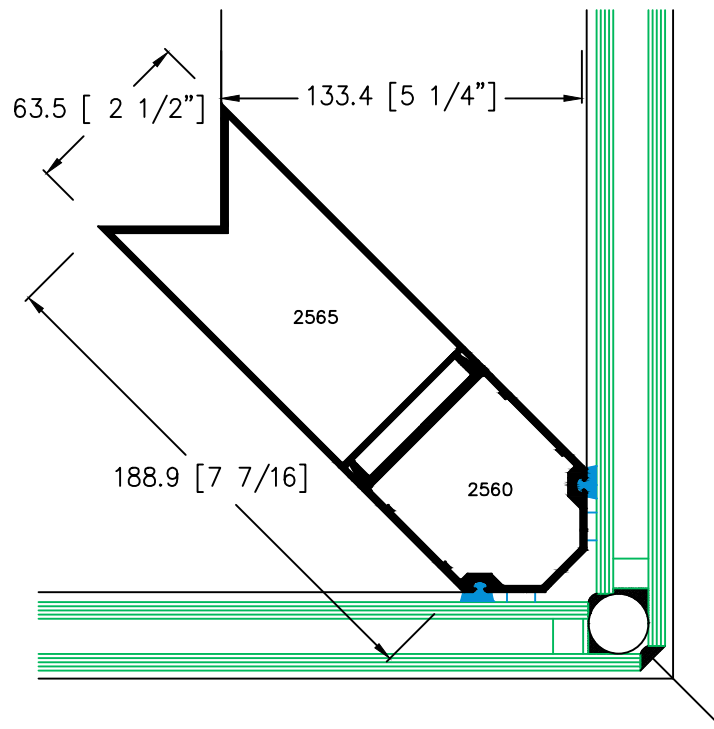
90° BREAKSHAPE CORNER

TYPICAL BUTT-JOINT CORNER DETAILS



90° BUTT-JOINT CORNER
AT 4" BACK MEMBER

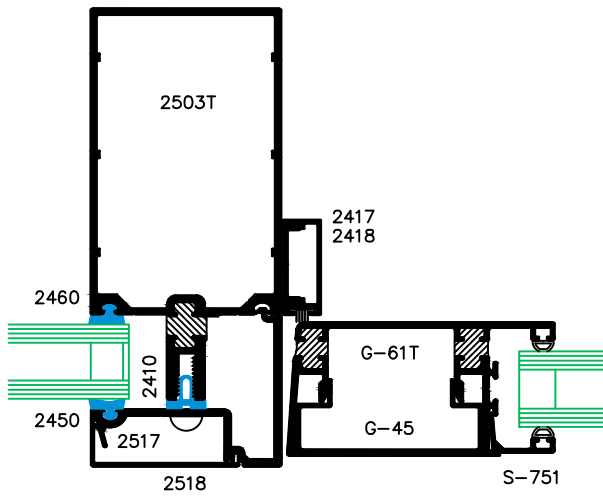
12



90° BUTT-JOINT CORNER
AT 5 1/4" BACK MEMBER

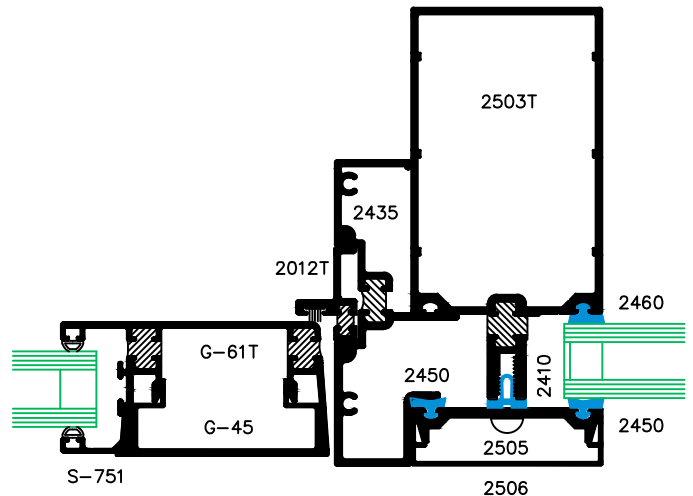
13

ALTERNATE DOOR DETAILS



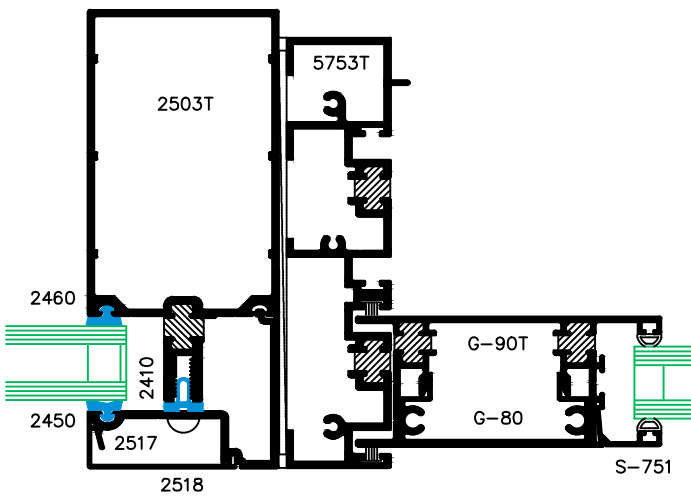
GLACIER DOOR

15



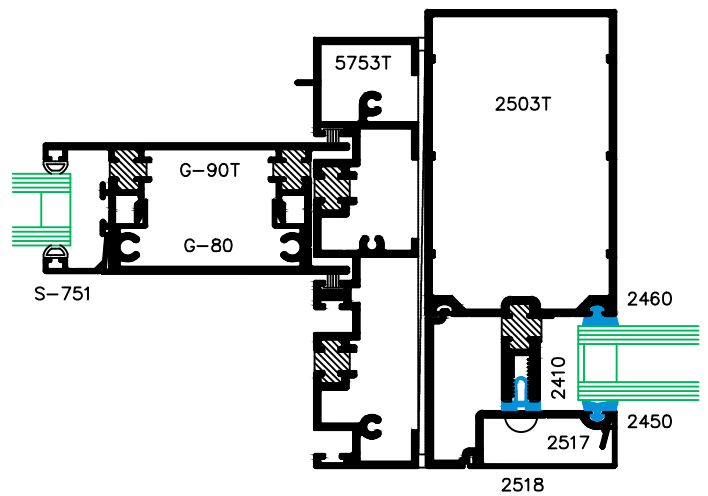
GLACIER DOOR

15a



1100T JAMB AT SLIDER

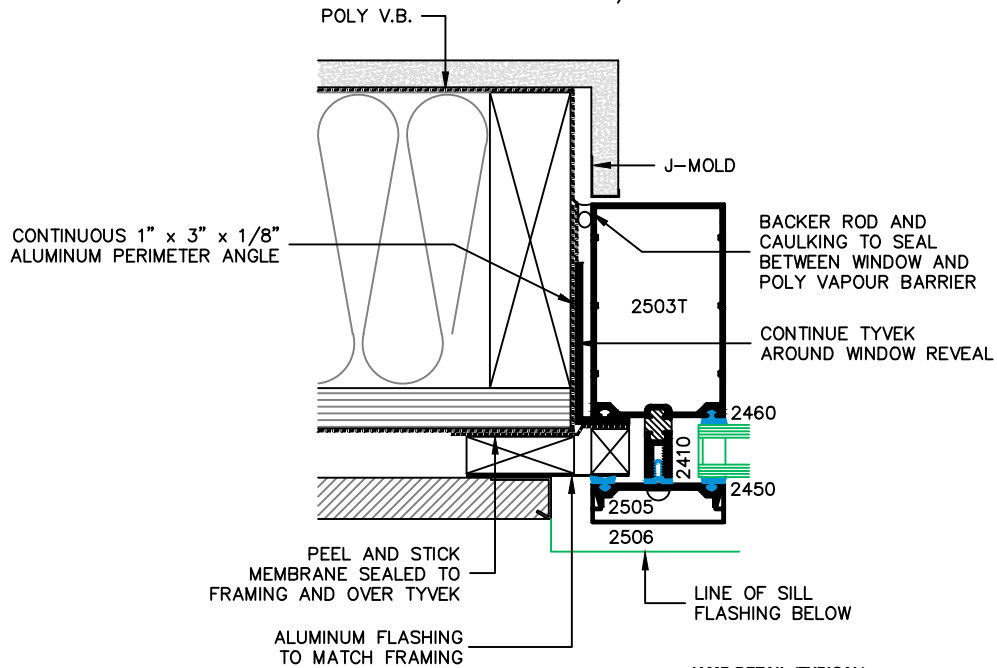
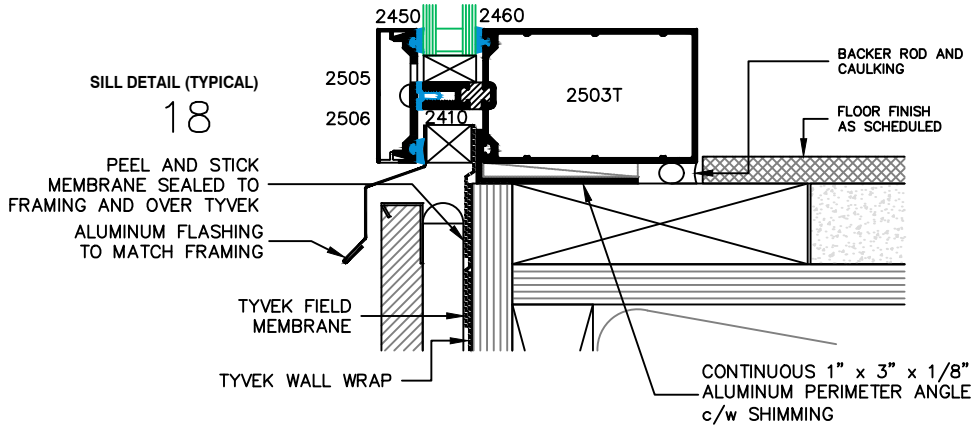
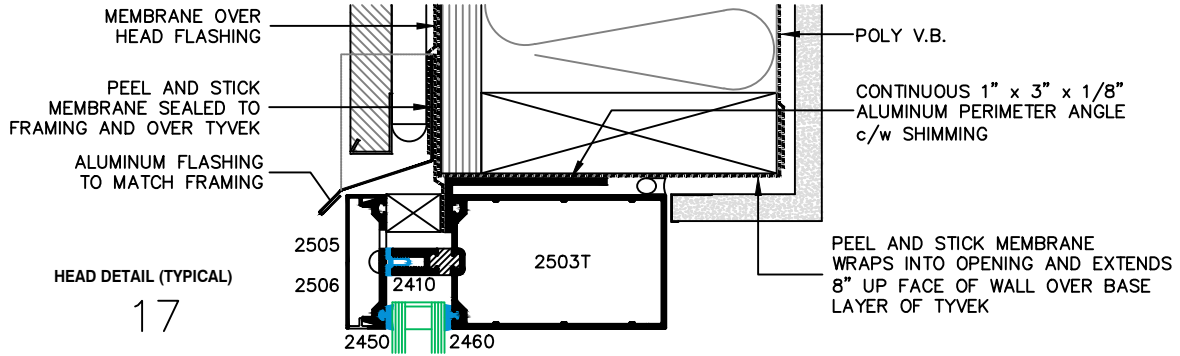
16



1100T JAMB AT FIXED PANEL

16a

INTERFACE DETAILS
(SUGGESTED ONLY)





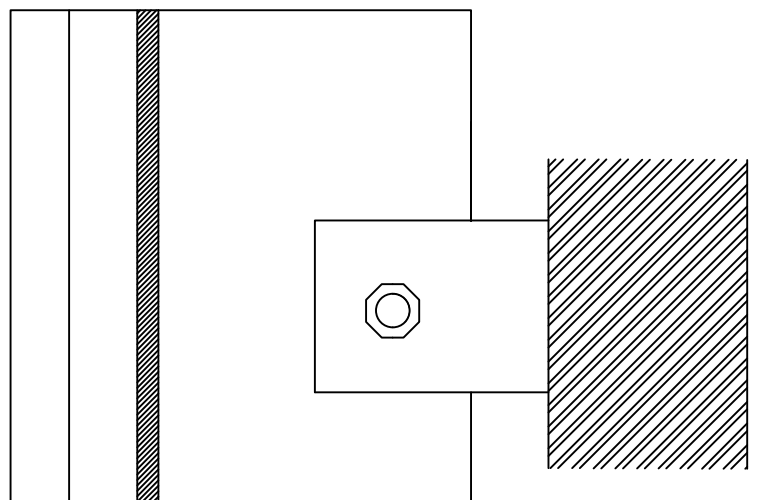
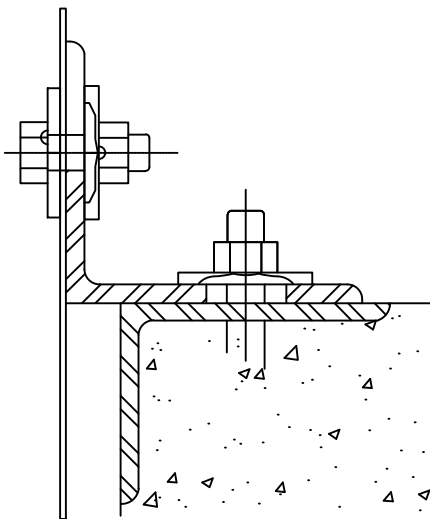
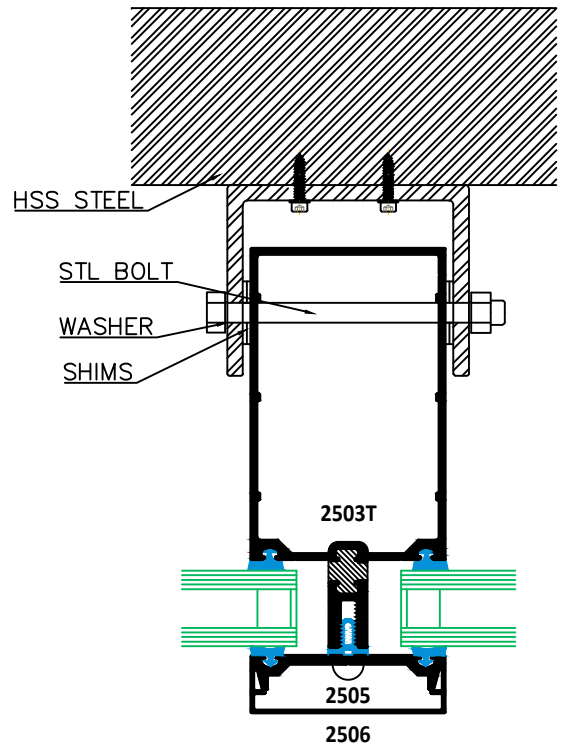
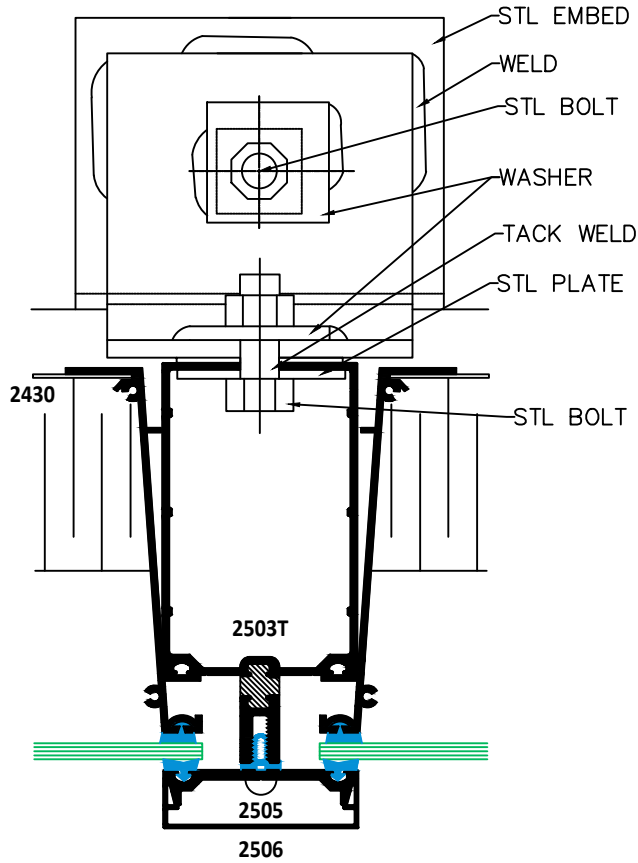
**METRO
ALUMINUM**
Products Ltd.

2500T SERIES

THERMALLY BROKEN
CURTAIN WALL & WINDOW SYSTEM
2 1/2" (63.5 mm) - FRAME

**D
48F**

TYPICAL ANCHORING DETAILS



SECTION DETAILS



**METRO
ALUMINUM**
Products Ltd.

2500T SERIES

THERMALLY BROKEN
CURTAIN WALL & WINDOW SYSTEM
2 1/2" (63.5 mm) - FRAME

**D
48G**

EXPANSION & SPLICE DETAILS

